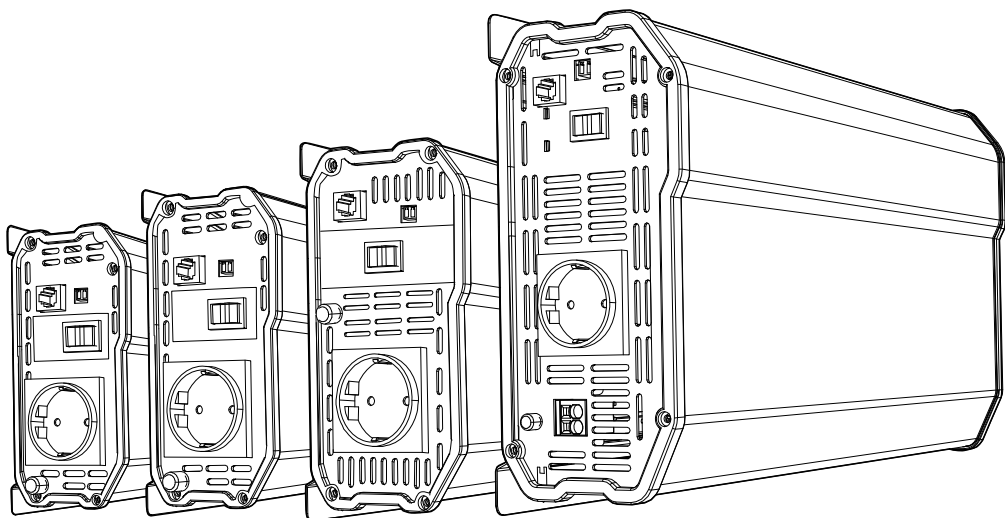


# BÜTTNER | ↗ DOMETIC

## POWER & CONTROL

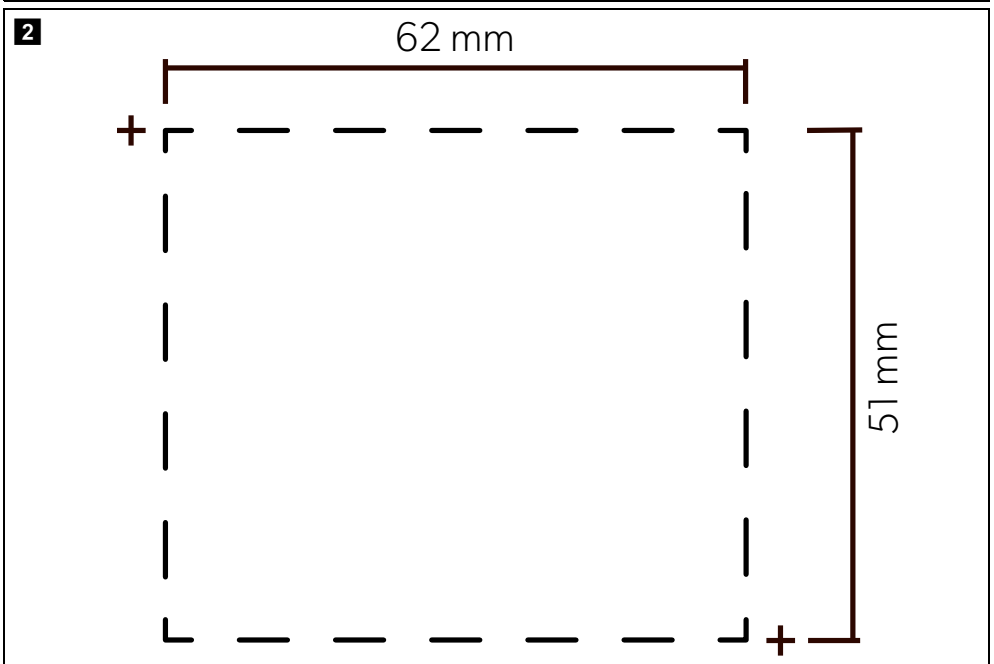
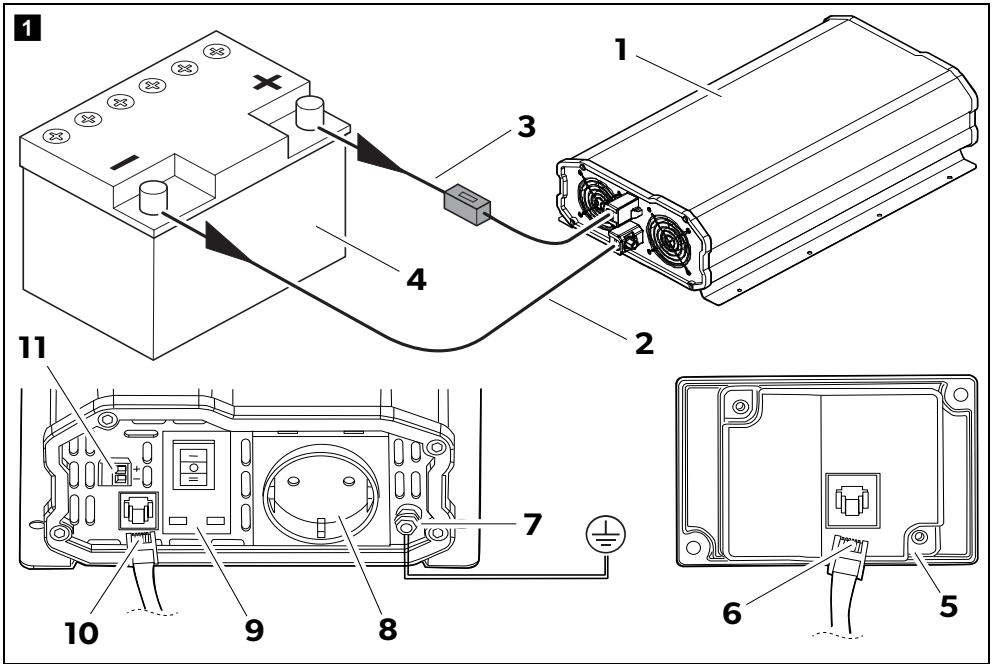
### POWERLINE

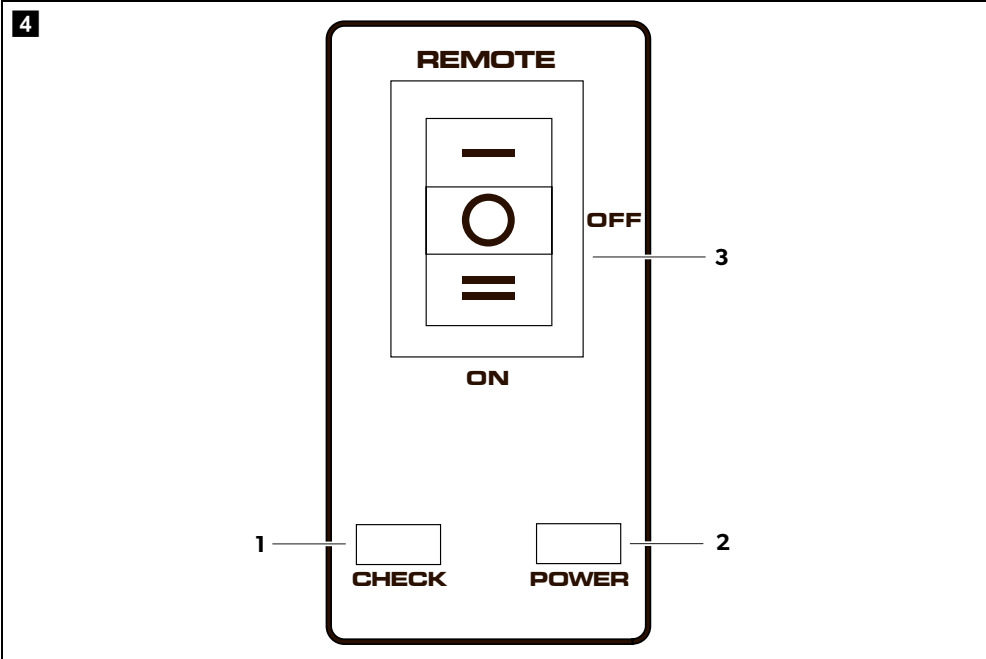
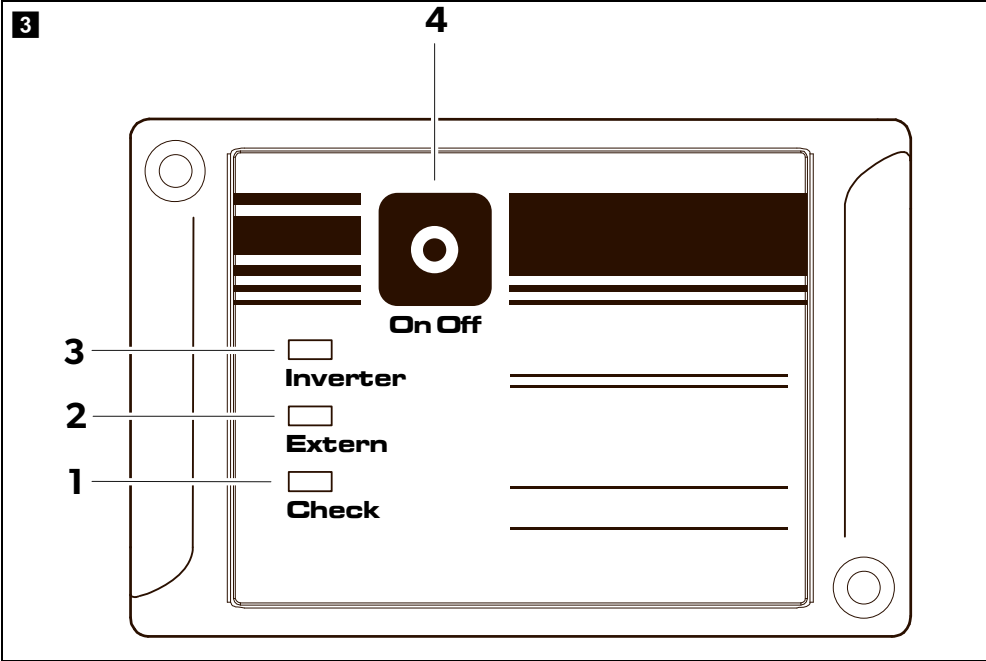


MT PL 300 SI, MT PL 600 SI, MT PL 1500 SI, MT PL 2000 SI

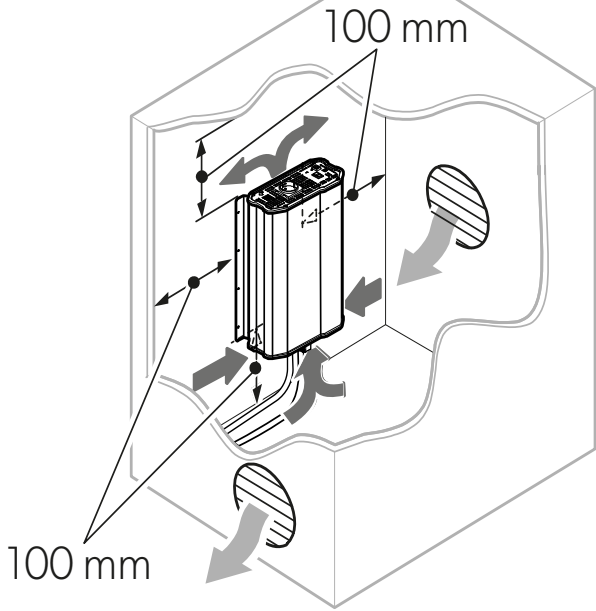
<b>EN</b>	<b>Pure sine wave inverter</b> Installation and Operating Manual . . . . . 10	<b>SV</b>	<b>Ren sinusväxelriktare</b> Monterings- och bruksanvisning . . . . . 57
<b>DE</b>	<b>Reiner Sinus-Wechselrichter</b> Montage- und Bedienungsanleitung . . . . . 17	<b>NO</b>	<b>Vekselretter med ren sinusbølge</b> Monterings- og bruksanvisning . . . . . 64
<b>FR</b>	<b>Onduleur sinusoïdal pur</b> Instructions de montage et de service . . . . . 25		
<b>IT</b>	<b>Inverter a onda sinusoidale pura</b> Istruzioni di montaggio e d'uso . . . . . 33		
<b>NL</b>	<b>Omvormer voor zuivere sinusgolven</b> Montagehandleiding en gebruiksaanwijzing . . . . . 41		
<b>DA</b>	<b>Inverter med ren sinusbølge</b> Monterings- og betjeningsvejledning . . . . 49		

© 2022 Dometic Group. The visual appearance of the contents of this manual is protected by copyright and design law. The underlying technical design and the products contained herein may be protected by design, patent or be patent pending. The trademarks mentioned in this manual belong to Dometic Sweden AB. All rights are reserved.

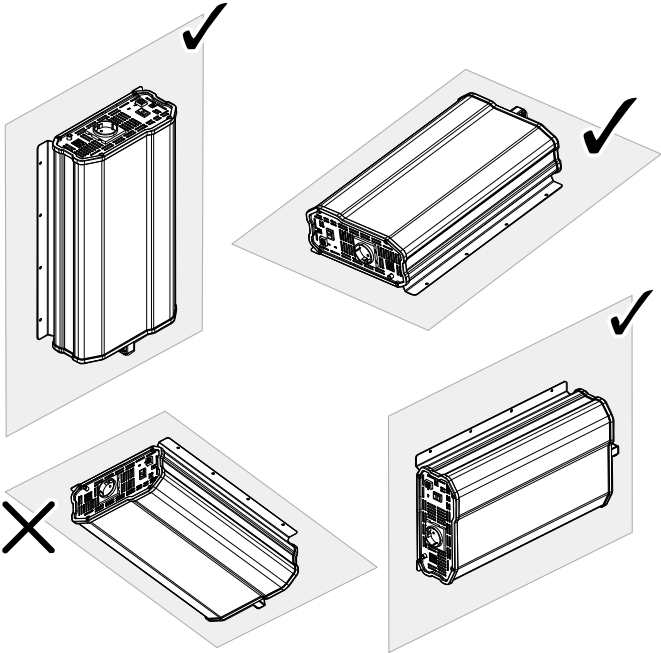


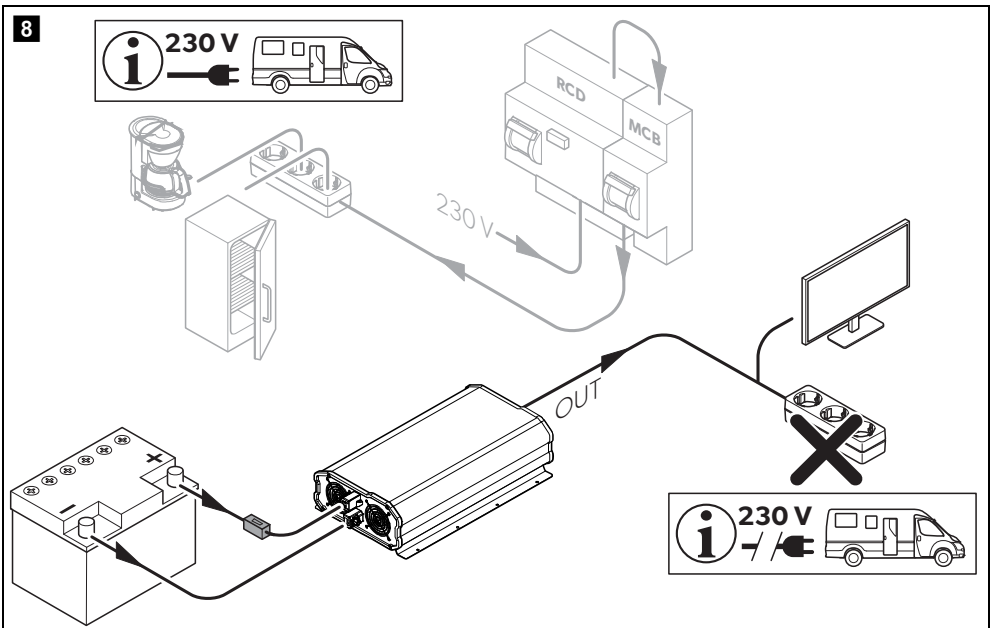
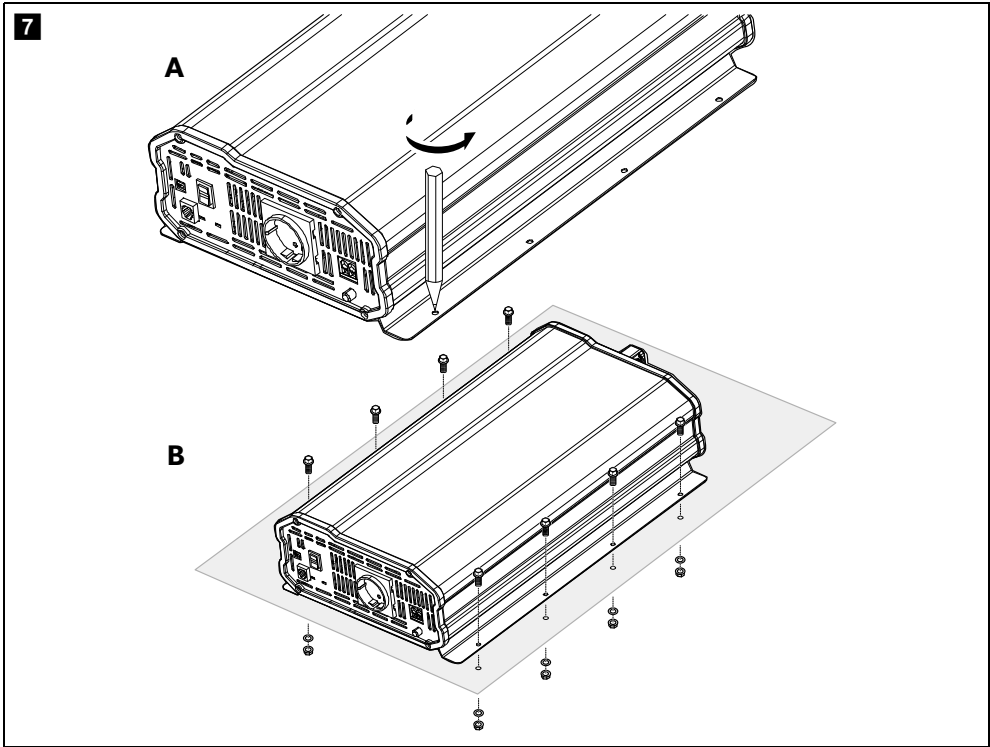


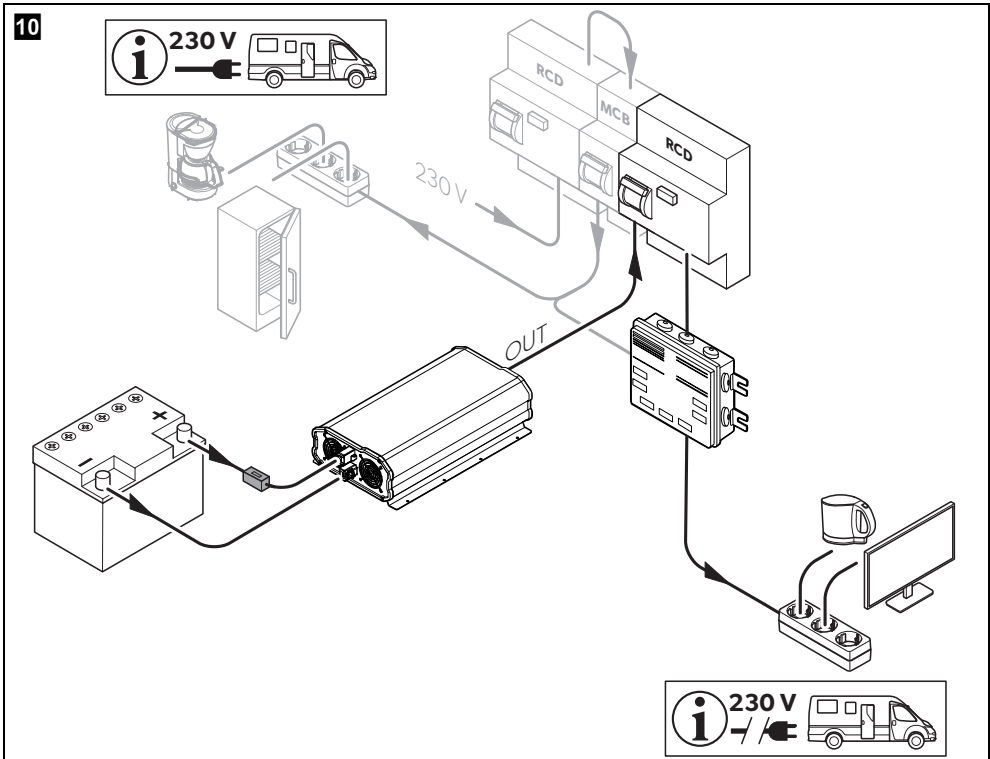
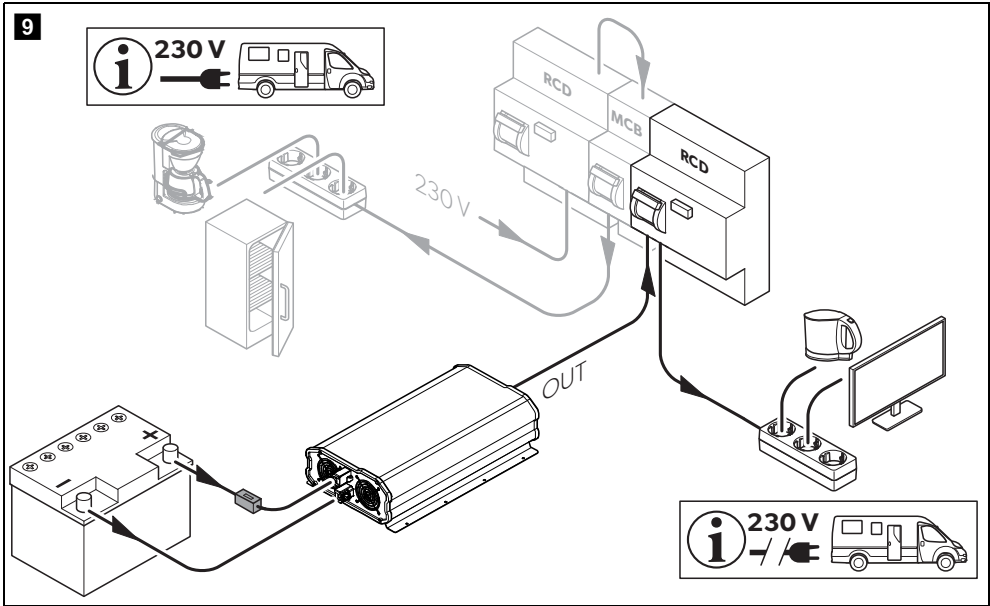
5



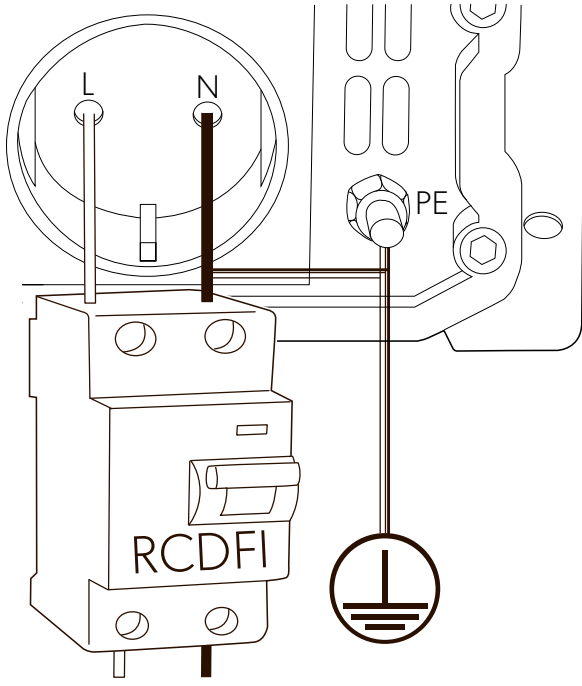
6



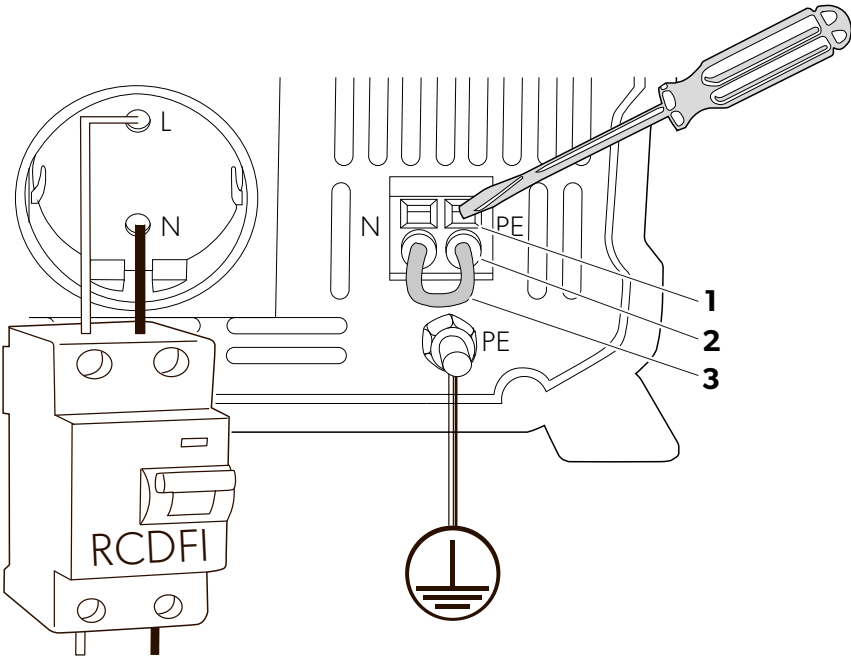




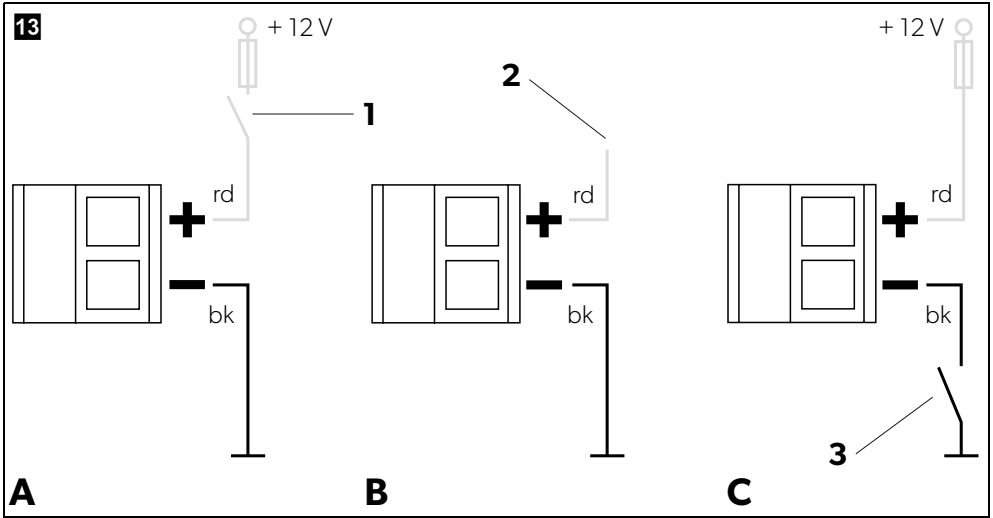
11



12







	EN	DE	FR	IT	NL	DA	SV	NO
bk	Black	Schwarz	Noir	Nero	Zwart	Sort	Svart	Svart
rd	Red	Rot	Rouge	Rosso	Rood	Rød	Röd	Rød

Please read these instructions carefully and follow all instructions, guidelines, and warnings included in this product manual in order to ensure that you install, use, and maintain the product properly at all times. These instructions **MUST** stay with this product.

By using the product, you hereby confirm that you have read all instructions, guidelines, and warnings carefully and that you understand and agree to abide by the terms and conditions as set forth herein. You agree to use this product only for the intended purpose and application and in accordance with the instructions, guidelines, and warnings as set forth in this product manual as well as in accordance with all applicable laws and regulations. A failure to read and follow the instructions and warnings set forth herein may result in an injury to yourself and others, damage to your product or damage to other property in the vicinity. This product manual, including the instructions, guidelines, and warnings, and related documentation, may be subject to changes and updates. For up-to-date product information, please visit [documents.dometic.com](http://documents.dometic.com).



**NOTICE!**

Indicates a situation that, if not avoided, can result in property damage.



**NOTE**

Supplementary information for operating the product.

## Safety Instructions



**DANGER! Failure to obey these warnings will result in death or serious injury.**

### Fire hazard/Flammable materials

- In event of fire, use a fire extinguisher which is suitable for electrical devices.

### Electrocution hazard

- Ensure that the red and black terminals never come into contact with each other.
- The device may not be used if the device itself or the connection cable is visibly damaged.
- If the power cable of the device is damaged, it must be replaced by the manufacturer, a service agent or a similarly qualified person in order to prevent safety hazards.
- Parts of the device may still conduct voltage even if the fuse has blown.
- This device may only be repaired by qualified personnel. Inadequate repairs may cause serious hazards.
- If you are working on electrical systems, ensure that there is somebody close at hand who can help you in case of emergency.
- Before disassembling the device, detach all connections and make sure that no voltage is present at any of the inputs and outputs.
- Do not touch exposed cables with your bare hands. This applies especially when operating the device from the AC mains.
- Disconnect the device from the mains before performing the following tasks:
  - Cleaning and maintenance.
  - Changing a fuse.
- Do not disconnect any cables when the device is still in use.
- Before starting the device, ensure that the power supply line and the plug are dry.
- To be able to disconnect the device quickly from the mains, the socket must be close to the device and be easily accessible.

## Contents

Explanation of symbols . . . . .	10
Safety Instructions . . . . .	10
Scope of delivery . . . . .	11
Accessories . . . . .	11
Target group . . . . .	11
Intended use . . . . .	11
Technical description . . . . .	12
Installing the device . . . . .	12
Using the device . . . . .	13
Cleaning and maintenance . . . . .	14
Troubleshooting . . . . .	14
Warranty . . . . .	15
Disposal . . . . .	15
Technical Data . . . . .	16

## Explanation of symbols



**WARNING!**

**Safety instruction:** Indicates a hazardous situation that, if not avoided, could result in death or serious injury.



**CAUTION!**

**Safety instruction:** Indicates a hazardous situation that, if not avoided, could result in minor or moderate injury.

## Health hazard

- This appliance can be used by children aged from 8 years and above and persons with reduced physical, sensory or mental capabilities or lack of experience and knowledge if they have been given supervision or instruction concerning use of the appliance in a safe way and understand the hazards involved.
- Always keep the appliance out of the reach of children.
- Children must be supervised to ensure that they don't play with the device
- Cleaning and user maintenance shall not be made by children without supervision.

## Risk of injury

- Lay the cables so that they cannot be tripped over or damaged.

## Explosion hazard

- Do not operate the device under these circumstances:
  - Wet or damp environments.
  - Vicinity of corrosive fumes.
  - Vicinity of combustible materials.
  - Risk of gas or dust explosion.



### NOTE Damage hazard

- Do not expose the device to a heat source (such as direct sunlight or heating). Avoid additional heating of the device this way.
- Setup the device in a dry location where it is protected against splashing water.
- Do not install the device in a dusty environment.
- Make sure that the mounting surface is capable of supporting the weight of the device.
- Use ductwork or cable ducts if it is necessary to lay cables through metal panels or other panels with sharp edges.
- Lay the cables so that they cannot be damaged by the doors or the bonnet.
- Do not lay the 230 V mains cable and the 12 V DC cable in the same duct.
- Do not lay the cable so that it is loose or heavily kinked.
- Fasten the cables securely.
- Do not pull on the cables.
- Always use sockets which are grounded and secured by residual current circuit breakers.
- Make sure that the lead has a sufficient cross-section.

- Make sure the air inlets and outlets of the device are not covered.
- Ensure good ventilation.

## Scope of delivery

Quantity	Description
1	Pure sine wave inverter
1	Installation and operating manual
1	Remote control
1	5 m cable for remote control
2	1.2 m flexible DC cables including fuse protection

## Accessories

Description	SKU
Advanced mains priority switch	9620000195 (MT12200)
Battery computer	9620000218 (MT01265)

## Target group



The electrical installation and setup of the device must be performed by a qualified electrician who has demonstrated skill and knowledge related to the construction and operation of electrical equipment and installations, and who is familiar with the applicable regulations of the country in which the equipment is to be installed and/or used, and has received safety training to identify and avoid the hazards involved.

All other actions are intended also for non-professional users.

## Intended use

The device is intended to supply 230 V to connected sockets.

The device is intended for indoor use.

This product is only suitable for the intended purpose and application in accordance with these instructions.

This manual provides information that is necessary for proper installation and/or operation of the product. Poor installation and/or improper operating or maintenance will result in unsatisfactory performance and a possible failure.

The manufacturer accepts no liability for any injury or damage to the product resulting from:

- Incorrect assembly or connection, including excess voltage
- Incorrect maintenance or use of spare parts other than original spare parts provided by the manufacturer
- Alterations to the product without express permission from the manufacturer
- Use for purposes other than those described in this manual

Dometic reserves the right to change product appearance and product specifications.

## Technical description

The device is a DC to AC true sine wave inverter.

Additionally, the device offers features like:

- Integrated microprocessor
- Crystal-stabilized AC output
- Electric and thermal overload protection
- Low voltage protection
- Overvoltage protection
- Temperature-controlled fan

## Installing the device

### Mounting instructions

- The device can be mounted horizontally or vertically. Mounting the device upside down is not allowed (fig. **6**, page 5).
- For proper cooling, leave - at least - 100 mm free space around all sides of the device (fig. **5**, page 5).
- The remote control should be installed in an accessible place.

## Mounting the device



### NOTICE! Damage hazard

Before drilling any holes, make sure that no electrical cables or other parts of the vehicle can be damaged by drilling, sawing and filing.

1. Mark and drill 8 holes on the mounting surface (fig. **7**, page 6).
2. Fasten the device securely (fig. **7**, page 6).

## Mounting the remote control



### NOTICE! Damage hazard

Before drilling any holes, make sure that no electrical cables or other parts of the vehicle can be damaged by drilling, sawing and filing.

1. Cut out the mounting surface (fig. **2**, page 3).
2. Connect the remote control using the cable (fig. **1**, page 3, **5**).
3. Install the remote control.

## Connecting the device

1. Lay all the necessary lines.
2. Use cable with cross-section of 4 mm<sup>2</sup> to connect the grounding connection of the device to the ground.
3. Secure all lines with strain relief clamps.
4. Connect the device (fig. **1**, page 3).



### NOTICE! Damage hazard

Battery cables must not be connected to the battery in reverse polarity, otherwise damage to the device may occur.

### fig. **1**, page 3 Description

1	Inverter	
2	Red cable	with fuse
3	Black cable	
4	Battery	
5	Remote control	

# Using the device

## Front panel

fig. 4, page 4	Description	
1	Check LED	Indicates restricted operation.
2	Power LED	Indicates the inverter is switched on and 230 V AC voltage is present at the output.
3	Main switch	<ul style="list-style-type: none"><li>• Inverter on, independent of a remote signal input or remote-control status.</li><li>• Inverter off.</li><li>• Remote mode allows the operation of the inverter from the remote control or the remote signal control input.</li></ul>

## Remote control

fig. 3, page 4	Description	
1	Check LED	Indicates restricted operation.
2	Extern	Indicates that the inverter is activated from the additional remote signal input with 12V DC control signal supplied.
3	Inverter	Indicates that the inverter is in operation and 230 V AC is present at the output.
4	On/Off button	Used for turning the inverter on or off manually, when the device main switch is in Remote position.

### fig. 1, page 3

Description
6 Plug-in socket
7 Grounding terminal
8 Output socket 230 V AC
9 Front panel
10 Plug-in socket Remote control
11 Plug-in socket Optional 12 V remote signal input

Description
6 Plug-in socket
7 Grounding terminal
8 Output socket 230 V AC
9 Front panel
10 Plug-in socket Remote control
11 Plug-in socket Optional 12 V remote signal input

5. Make sure that all fasteners are properly tightened and connections are secure, including the connections at the fuse.

## Connecting neutral line to ground



### **WARNING! Electrocutation hazard**

The installation may only be carried out by a qualified electrician.

In applications where the inverter supplies multiple sockets, a protective device must be used. In this case the connection of the neutral (N) line to the protective ground (PE) is required.

### MT PL300-1500 SI

- ▶ Connect the chassis ground terminal and the neutral terminal of the protective device using a wire with 4 mm<sup>2</sup> cross-section (fig. 11, page 8).

### MT PL 2000 SI

- ▶ Strip both ends of a wire with 4 mm<sup>2</sup> cross-section (fig. 12, page 8, 3).
- ▶ Using a screwdriver release the locking tab (fig. 12, page 8, 1).
- ▶ Insert the wire into the terminal (fig. 12, page 8, 2).

## Direct supply of consumers at the inverter

All devices offer a power outlet for direct connection of 230 V AC consumers (fig. **8**, page 6).

## Inverter supply to multiple sockets



### **WARNING! Electrocutation hazard**

The installation may only be carried out by a qualified electrician.

The device can supply 230 V AC to multiple sockets at once. In case of using multiple sockets, the appropriate protective device must be installed (fig. **9**, page 7).

## Inverter supply to multiple sockets and external power supply with mains priority switch



### **WARNING! Electrocutation hazard**

The installation may only be carried out by a qualified electrician.

The 230 V AC supply of the inverter and the supply of an external power source can be alternated using a mains priority switch. In case of using a mains priority switch, the appropriate protective device must be installed (fig. **10**, page 7).

## Additional control signal input

The device has a 12 V control signal input, which allows the connection of a manual switch, or an external control system (fig. **1**, page 3, **11**).

The remote control signal must be connected to the right polarity of the plug on the front panel (fig. **1**, page 3, **11**).

## Troubleshooting

Status	Inverter/Extern LED	Check LED	Acoustic signal	Output 230 V AC
Inverter start	On	On (1 second)	1x	On
Normal operation	On	Off	Off	On
Low voltage warning	On	Off	2x/break	On
Low voltage	On	On	3x/break	On

► Observe the possible applications of the control signal input (fig. **13**, page 9).

fig. **13**,  
page 9

### Description

1	Control by external switch
2	Control by positive signal voltage
3	Control by switching towards the ground

Activation of the control signal input has higher priority than the remote control. This means that when the inverter is activated by the control signal input, the device cannot be switched off from the remote control.

► To activate the 12 V signal input, set the device main switch to *REMOTE* position (fig. **4**, page 4, **3**).

## Cleaning and maintenance



### **WARNING! Electrocutation hazard**

Always disconnect the mains plug before you clean and service the device.



### **NOTICE! Damage hazard**

Never clean the device under running water or in dish washer. Do not use abrasive cleaning agents or hard objects during cleaning as these can damage the device.

► Occasionally clean the product with a damp cloth.

The device is maintenance-free.

Status	Inverter/Extern LED	Check LED	Acoustic signal	Output 230 V AC
Overvoltage	On	On	4x/break	On
Overtemperature	On	On	5x/break	On
Overload warning	On	Off	1x short/break	On
Overload	Off	On	continuous	Off
Short circuit	Off	On	continuous	Off

Input parameters	Voltage range	Description
Normal operation	11.5 V – 14.0 V	
Optimal operation	13.0 V – 14.0 V	
Low voltage warning	11.2 V – 10.7 V	acoustic signal: 2x/break
Stop - low voltage warning	< 10.7 V +/- 0.2 V	Inverter off, acoustic signal: 2x/break
Restart - low voltage	> 12.0 V +/- 0.2 V	Inverter on
Stop - overvoltage	> 15.0 V	Inverter off, acoustic signal: 4x/break voltage > 16 V - can cause damage to the device even if it is not in operation

If the inverter has stopped operation because of one of the previously described reasons, a manual restart can be done.

► To manually restart the inverter, switch off at the device switch or press the **ON/OFF** button (fig. **3**, page 4, **4**) on the remote control until the **CHECK** LED (fig. **3**, page 4, **1**) is extinguished. After a short waiting time, the inverter can be restarted.

If after the reboot there is still a parameter over or below the limit values, the start is prevented, and the corresponding LED and acoustic signal sequence signals a failure.



#### **NOTICE! Damage hazard**

In case of overtemperature, wait 5 to 10 minutes for cooling down the device before restart.



#### **NOTICE! Damage hazard**

In case of overload, turn off the load and reduce the connected consumers. Avoid further starts with overload.

## Warranty

The statutory warranty period applies. If the product is defective, please contact your retailer or the manufacturer's branch in your country (see [dometic.com/dealer](http://dometic.com/dealer)).

For repair and warranty processing, please include the following documents when you send in the product:

- A copy of the receipt with purchasing date
  - A reason for the claim or description of the fault
- Note that self-repair or nonprofessional repair can have safety consequences and might void the warranty.

## Disposal

**Recycling products with non-replaceable batteries, rechargeable batteries or light sources**



▶ If the product contains any non-replaceable batteries, rechargeable batteries or light sources, you don't have to remove them before disposal.



▶ If you wish to finally dispose of the product, ask your local recycling center or specialist dealer for details about how to do this in accordance with the applicable disposal regulations.


▶ The product can be disposed free of charge.

## Recycling packaging material



▶ Place the packaging material in the appropriate recycling waste bins wherever possible.

## Technical Data

	MT PL 300 SI	MT PL 600 SI	MT PL 1500 SI	MT PL 2000 SI
Input nominal voltage	12 V <sup>===</sup>			
Input voltage range	10.5 - 15 V <sup>===</sup>			
Output nominal voltage	230 V <sup>~</sup> / 50 Hz / TDH < 3%			
Output nominal power	300 W	600 W	1500 W	2000 W
Overload/1 second	500 W	1000 W	2600 W	4000 W
Idle current	0.4 A	0.7 A	0.8 A - 1.0 A	0.8 A - 1.0 A
Nominal power max. current	30 A	60 A	150 A	200 A
Efficiency	87 - 94%			
Weight approximately	1500 g	2000 g	3800 g	6300 g
Dimensions (L x W x H), in mm	220 x 165 x 80	240 x 165 x 80	380 x 175 x 100	254 x 463 x 118
Battery cables	6 mm <sup>2</sup>	10 mm <sup>2</sup>	35 mm <sup>2</sup>	50 mm <sup>2</sup>
Fusing included in battery cable	30 A	60 A	175 A	225 A
Cooling	Temperature and load depending			
Protection	Overload, overheating, output short-circuit, over-voltage, low voltage			
Remote control input	12 V <sup>===</sup> / 30 mA			
Protection class/IP rating	Class I / IP20			
Certification				



Lesen und befolgen Sie bitte alle Anweisungen, Richtlinien und Warnhinweise in diesem Produkthandbuch sorgfältig, um sicherzustellen, dass Sie das Produkt ordnungsgemäß installieren und stets ordnungsgemäß betreiben und warten. Diese Anleitung MUSS bei dem Produkt verbleiben.

Durch die Verwendung des Produktes bestätigen Sie hiermit, dass Sie alle Anweisungen, Richtlinien und Warnhinweise sorgfältig gelesen haben und dass Sie die hierin dargelegten Bestimmungen verstanden haben und ihnen zustimmen. Sie erklären sich damit einverstanden, dieses Produkt nur für den angegebenen Verwendungszweck und gemäß den Anweisungen, Richtlinien und Warnhinweisen dieses Produkthandbuchs sowie gemäß allen geltenden Gesetzen und Vorschriften zu verwenden. Eine Nichtbeachtung der hierin enthaltenen Anweisungen und Warnhinweise kann zu einer Verletzung Ihrer selbst und anderer Personen, zu Schäden an Ihrem Produkt oder zu Schäden an anderem Eigentum in der Umgebung führen. Dieses Produkthandbuch, einschließlich der Anweisungen, Richtlinien und Warnhinweise, sowie die zugehörige Dokumentation können Änderungen und Aktualisierungen unterliegen. Aktuelle Produktinformationen finden Sie unter [documents.dometic.com](http://documents.dometic.com).

## Inhalt

Erläuterung der Symbole . . . . .	17
Sicherheitshinweise . . . . .	17
Lieferumfang . . . . .	18
Zubehör . . . . .	18
Zielgruppe . . . . .	19
Bestimmungsgemäßer Gebrauch . . . . .	19
Technische Beschreibung . . . . .	19
Gerät installieren . . . . .	19
Verwendung des Geräts . . . . .	21
Reinigung und Pflege . . . . .	22
Fehlersuche und Fehlerbehebung . . . . .	22
Garantie . . . . .	23
Entsorgung . . . . .	23
Technische Daten . . . . .	24

## Erläuterung der Symbole



### **WARNUNG!**

**Sicherheitshinweis:** Kennzeichnet eine Gefahrensituation, die zum Tod oder schwerer Verletzung führen könnte, wenn die jeweiligen Anweisungen nicht befolgt werden.



### **VORSICHT!**

**Sicherheitshinweis:** Kennzeichnet eine Gefahrensituation, die zu geringer oder mittelschwerer Verletzung führen könnte, wenn die jeweiligen Anweisungen nicht befolgt werden.



### **ACHTUNG!**

Kennzeichnet eine Situation, die zu Sachschäden führen kann, wenn die jeweiligen Anweisungen nicht befolgt werden.



### **HINWEIS**

Ergänzende Informationen zur Bedienung des Produktes.

## Sicherheitshinweise



**GEFAHR! Nichtbeachtung dieser Warnungen führt zum Tod oder schwerer Verletzung.**

### **Brandgefahr/brennbare Materialien**

- Verwenden Sie im Brandfall einen Feuerlöscher, der für elektrische Geräte geeignet ist.

### **Gefahr durch Stromschlag**

- Achten Sie darauf, dass sich nie die rote und die schwarze Klemme berühren.
- Wenn das Gerät selbst oder das Anschlusskabel sichtbare Beschädigungen aufweist, dürfen Sie das Gerät nicht in Betrieb nehmen.
- Wenn das Anschlusskabel des Geräts beschädigt ist, muss es durch den Hersteller, einen Kundendienstmitarbeiter oder eine ähnlich qualifizierte Person ersetzt werden, um Gefährdungen zu vermeiden.
- Teile des Geräts können auch nach Auslösen der Sicherung noch Spannung führen.
- Reparaturen an diesem Gerät dürfen nur von Fachkräften durchgeführt werden. Durch unsachgemäße Reparaturen können erhebliche Gefahren entstehen.
- Wenn Sie an elektrischen Anlagen arbeiten, stellen Sie sicher, dass jemand in der Nähe ist, der Ihnen im Notfall helfen kann.
- Trennen Sie vor der Demontage des Geräts alle Anschlüsse und stellen Sie sicher, dass an den Ein- und Ausgängen keine Spannung anliegt.
- Fassen Sie nie mit bloßen Händen an blanke Leitungen. Dies gilt vor allem beim Betrieb am Wechselstromnetz.

- Trennen Sie das Gerät von der Stromversorgung, bevor Sie folgende Arbeiten durchführen:
  - Reinigung und Pflege.
  - Austauschen einer Sicherung.
- Lösen Sie keine Kabel, wenn das Gerät noch in Betrieb ist.
- Achten Sie vor der Inbetriebnahme darauf, dass Zuleitung und Stecker trocken sind.
- Um bei Gefahr das Gerät schnell vom Netz trennen zu können, muss sich die Steckdose in der Nähe des Gerätes befinden und leicht zugänglich sein.

### Gesundheitsgefahr

- Dieses Gerät kann von Kindern ab 8 Jahren und von Personen mit verringerten physischen, sensorischen oder mentalen Fähigkeiten oder Mangel an Erfahrung und/oder Wissen verwendet werden, wenn diese Personen überwacht oder im sicheren Gebrauch des Gerätes unterwiesen wurden und die daraus resultierenden Gefahren verstanden haben.
- Benutzen Sie das Gerät außerhalb der Reichweite von Kindern.
- Kinder müssen beaufsichtigt werden, um sicherzustellen, dass sie nicht mit dem Gerät spielen.
- Reinigung und Benutzerwartung dürfen nicht durch unbeaufsichtigte Kinder durchgeführt werden.

### Verletzungsgefahr

- Verlegen Sie die Leitungen so, dass keine Stolpergefahr besteht und eine Beschädigung des Kabels ausgeschlossen ist.

### Explosionsgefahr

- Betreiben Sie das Gerät nicht unter folgenden Umständen:
  - in feuchten oder nassen Umgebungen.
  - in der Nähe von korrosiven Dämpfen.
  - in der Nähe von brennbaren Materialien.
  - bei Gefahr einer Gas- oder Staubexplosion.



### HINWEIS Beschädigungsgefahr

- Setzen Sie das Gerät keiner Wärmequelle (Sonneneinstrahlung, Heizung usw.) aus. Vermeiden Sie so eine zusätzliche Erwärmung des Gerätes.
- Stellen Sie das Gerät an einem trockenen Ort auf, an dem es vor Spritzwasser geschützt ist.
- Das Gerät darf nicht in staubigen Umgebungen eingebaut werden.

- Stellen Sie sicher, dass die Montagefläche das Gewicht des Geräts tragen kann.
- Benutzen Sie Leerrohre oder Leitungsdurchführungen, wenn Leitungen durch Blechwände oder andere scharfkantige Wände geführt werden müssen.
- Verlegen Sie die Leitungen so, dass sie nicht durch Türen oder Motorhauben beschädigt werden.
- Verlegen Sie 230-V-Netzleitung und 12-V-Gleichstromleitung nicht zusammen im gleichen Leitungskanal (Leerrohr).
- Verlegen Sie Leitungen nicht lose oder scharf abgeknickt.
- Befestigen Sie die Leitungen sicher.
- Ziehen Sie nicht an den Leitungen.
- Verwenden Sie stets geerdete und durch FI-Schutzschalter gesicherte Steckdosen.
- Achten Sie auf einen ausreichenden Leitungsquerschnitt.
- Achten Sie darauf, dass Luftein- und -auslässe des Geräts nicht verdeckt werden.
- Achten Sie auf eine gute Belüftung.

## Lieferumfang

Anzahl	Beschreibung
1	Reiner Sinus-Wechselrichter
1	Montage- und Bedienungsanleitung
1	Fernbedienung
1	5 m langes Kabel für Fernbedienung
2	1,2 m lange flexible Gleichstromkabel mit integrierter Sicherung

## Zubehör

Beschreibung	SKU
Erweiterter Netzvorwrrangschalter	9620000195 (MT12200)
Batteriecomputer	9620000218 (MT01265)

## Zielgruppe



Die elektrische Installation und Einrichtung des Geräts müssen von einer qualifizierten Elektrofachkraft durchgeführt werden, der seine Fähigkeiten und Kenntnisse im Zusammenhang mit dem Aufbau und der Bedienung von elektrischen Geräten und Installationen unter Beweis gestellt hat und der mit den geltenden Vorschriften des Landes, in dem das Gerät installiert und/oder verwendet werden soll, vertraut ist und eine Sicherheitsschulung erhalten hat, um die damit verbundenen Gefahren zu erkennen und zu vermeiden.

Alle anderen Aktionen sind auch für nicht-professionelle Benutzer bestimmt.

## Bestimmungsgemäßer Gebrauch

Das Gerät ist für die Versorgung angeschlossener Steckdosen mit 230 V vorgesehen.

Das Gerät ist für die Verwendung in Innenräumen vorgesehen.

Dieses Produkt ist nur für den angegebenen Verwendungszweck und die Anwendung gemäß dieser Anleitung geeignet.

Dieses Handbuch enthält Informationen, die für die ordnungsgemäße Installation und/oder den ordnungsgemäßen Betrieb des Produkts erforderlich sind. Installationsfehler und/oder ein nicht ordnungsgemäßer Betrieb oder eine nicht ordnungsgemäße Wartung haben eine unzureichende Leistung und u. U. einen Ausfall des Geräts zur Folge.

Der Hersteller übernimmt keine Haftung für Verletzungen oder Schäden am Produkt, die durch Folgendes entstehen:

- Unsachgemäße Montage oder falscher Anschluss, einschließlich Überspannung
- Unsachgemäße Wartung oder Verwendung von anderen als den vom Hersteller gelieferten Original-Ersatzteilen

- Veränderungen am Produkt ohne ausdrückliche Genehmigung des Herstellers
- Verwendung für andere als die in der Anleitung beschriebenen Zwecke

Dometic behält sich das Recht vor, das Erscheinungsbild des Produkts und dessen technische Daten zu ändern.

## Technische Beschreibung

Das Gerät ist ein Wechselrichter mit reiner Sinuswelle.

Darüber hinaus bietet das Gerät unter anderem folgende Merkmale:

- Integrierter Mikroprozessor
- Quarzstabilisierter Wechselstromausgang
- Elektrischer und thermischer Überlastschutz
- Unterspannungsschutz
- Überspannungsschutz
- Temperaturgesteuerter Lüfter

## Gerät installieren

### Montagehinweise

- Die Montage des Geräts kann horizontal wie auch vertikal erfolgen. Das Gerät darf nicht verkehrt herum montiert werden (Abb. **6**, Seite 5).
- Lassen Sie für eine ausreichende Kühlung auf allen Seiten des Geräts einen Freiraum von – mindestens – 100 mm (Abb. **5**, Seite 5).
- Die Fernbedienung sollte an einem zugänglichen Ort installiert werden.

### Gerät montieren



#### **ACHTUNG! Beschädigungsgefahr**

Vor dem Anbringen von Bohrungen ist sicherzustellen, dass keine elektrischen Kabel oder andere Teile des Fahrzeugs durch Bohren, Sägen und Feilen beschädigt werden können.

1. Markieren und bohren Sie 8 Löcher auf der Montagefläche (Abb. **7**, Seite 6).

2. Befestigen Sie das Gerät sicher (Abb. **7**, Seite 6).

## Fernbedienung anbringen



**ACHTUNG! Beschädigungsgefahr**  
Vor dem Anbringen von Bohrungen ist sicherzustellen, dass keine elektrischen Kabel oder andere Teile des Fahrzeugs durch Bohren, Sägen und Feilen beschädigt werden können.

1. Schneiden Sie die Montagefläche aus (Abb. **2**, Seite 3).
2. Schließen Sie die Fernbedienung mit dem Kabel an (Abb. **1**, Seite 3, **5**).
3. Fernbedienung montieren.

## Anschluss des Geräts

1. Verlegen Sie die nötigen Leitungen.
2. Verwenden Sie ein Kabel mit einem Querschnitt von  $4 \text{ mm}^2$ , um den Erdungsanschluss des Geräts mit der Masse zu verbinden.
3. Sichern Sie alle Leitungen mit den Zugentlastungen.
4. Schließen Sie das Gerät an (Abb. **1**, Seite 3).



**ACHTUNG! Beschädigungsgefahr**  
Batteriekabel dürfen nicht verpolt an die Batterie angeschlossen werden, da sonst das Gerät beschädigt werden könnte.

Abb. <b>1</b> , Seite 3	Beschreibung	
1	Wechselrichter	
2	rote Ader	mit Sicherung
3	schwarze Ader	
4	Batterie	
5	Fernbedienung	
6	Steckbuchse	
7	Erdungsanschluss	
8	Ausgangsbuchse	230-V-Wechselstrom
9	Frontblende	

Abb. <b>1</b> , Seite 3	Beschreibung	
10	Steckbuchse	Fernbedienung
11	Steckbuchse	Optionaler 12-V-Fernbedienungssignaleingang

5. Stellen Sie sicher, dass alle Befestigungselemente ordnungsgemäß angezogen sind und die Anschlüsse, einschließlich der Anschlüsse an der Sicherung, fest sitzen.

## Neutralleiter an Masse anschließen



### WARNUNG! Gefahr durch Stromschlag

Die Installation darf nur durch einen qualifizierten Elektriker durchgeführt werden.

Bei Anwendungen, bei denen der Wechselrichter mehrere Steckdosen versorgt, muss eine Schutzvorrichtung verwendet werden. In diesem Fall ist ein Anschluss des Neutralleiters (N) an die Schutzerdung (PE) erforderlich.

## MT PL300-1500 SI

- Schließen Sie die Karrosseriemasse-Schraube und die Nullleiterklemme der Schutzvorrichtung über ein Kabel mit einem Querschnitt von  $4 \text{ mm}^2$  an (Abb. **11**, Seite 8).

## MT PL 2000 SI

- Isolieren Sie beide Enden eines Kabels mit einem Querschnitt von  $4 \text{ mm}^2$  ab (Abb. **12**, Seite 8, **3**).
- Lösen Sie mit einem Schraubendreher die Sicherungsglasche (Abb. **12**, Seite 8, **1**).
- Setzen Sie den Draht in die Klemme ein (Abb. **12**, Seite 8, **2**).

# Verwendung des Geräts

## Frontblende

Abb. 4 , Seite 4	Beschreibung	
1	LED prüfen	Zeigt einen eingeschränkten Betrieb an.
2	Betriebs-LED	Zeigt an, dass der Wechselrichter eingeschaltet ist und am Ausgang eine Wechselspannung von 230 V anliegt.
3	Hauptschalter	<ul style="list-style-type: none"><li>• Wechselrichter ein, unabhängig von dem Fernbedienungssignaleingang oder dem Fernbedienungsstatus.</li><li>• Wechselrichter aus.</li><li>• Im Fernbedienungsbetrieb kann der Wechselrichter über die Fernbedienung oder den Fernbedienungssignal-Steuer- eingang betrieben werden.</li></ul>

## Fernbedienung

Abb. 3 , Seite 4	Beschreibung	
1	LED prüfen	Zeigt einen eingeschränkten Betrieb an.
2	Extern	Zeigt an, dass der Wechselrichter über den zusätzlichen Fernbedienungssignaleingang mit dem eingespeisten 12-V-Gleichstromsteuersignal aktiviert wird.

Abb. 3 , Seite 4	Beschreibung	
3	Wechselrichter	Zeigt an, dass der Wechselrichter in Betrieb ist und am Ausgang eine Wechselspannung von 230 V anliegt.
4	Taste Ein/ Aus	Zum manuellen Ein- und Ausschalten des Wechselrichters, wenn sich der Hauptschalter des Geräts in der Stellung „Remote“ befindet.

## Direkte Versorgung von Verbrauchern am Wechselrichter

Alle Geräte verfügen über eine Steckdose für den direkten Anschluss von 230-V-Wechselstromverbrauchern (Abb. 8, Seite 6).

## Versorgung mehrerer Steckdosen durch den Wechselrichter



### **WARNING! Gefahr durch Stromschlag**

Die Installation darf nur durch einen qualifizierten Elektriker durchgeführt werden.

Das Gerät kann mehrere Steckdosen gleichzeitig mit 230-V-Wechselstrom versorgen. Bei Verwendung von Mehrfachsteckdosen muss eine geeignete Schutzvorrichtung installiert werden (Abb. 9, Seite 7).

## Versorgung mehrerer Steckdosen durch den Wechselrichter und externe Stromversorgung mit Netzvorrangschalter



### **WARNING! Gefahr durch Stromschlag**

Die Installation darf nur durch einen qualifizierten Elektriker durchgeführt werden.

Die Versorgung mit 230-V-Wechselstrom durch den Wechselrichter und die Versorgung durch eine externe Stromquelle können über einen Netzvorrangschalter alterniert werden. Bei Verwendung eines Netzvorrangschalters muss eine geeignete Schutzvorrichtung installiert werden (Abb. **10**, Seite 7).

### Zusätzlicher Steuersignaleingang

Das Gerät verfügt über einen 12-V-Steuersignaleingang, der den Anschluss eines manuellen Schalters oder eines externen Steuerungssystems ermöglicht (Abb. **11**, Seite 3, **11**).

Das Fernbedienungssignal muss polrichtig mit dem Stecker an der Frontblende verbunden werden (Abb. **11**, Seite 3, **11**).

► Beachten Sie die Einsatzmöglichkeiten für den Steuersignaleingang (Abb. **13**, Seite 9).

Abb. <b>13</b> , Seite 9	Beschreibung
1	Steuerung über externen Schalter
2	Steuerung über positive Signalspannung
3	Steuerung mit Schaltbezug auf Masse

Die Aktivierung des Steuersignaleingangs hat Vorrang vor der Fernbedienung. Das bedeutet, dass bei einer Aktivierung des Wechselrichters über den Steuersignaleingang das Gerät nicht über die Fernbedienung ausgeschaltet werden kann.

► Um den 12-V-Signaleingang zu aktivieren, versetzen Sie den Hauptschalter des Geräts in die Stellung *REMOTE* (Abb. **4**, Seite 4, **3**).

## Reinigung und Pflege



### WARNUNG! Gefahr durch Stromschlag

Ziehen Sie vor jeder Reinigung und Pflege den Netzstecker.



### ACHTUNG! Beschädigungsgefahr

Reinigen Sie das Gerät niemals unter fließendem Wasser oder in einer Spülmaschine. Verwenden Sie zur Reinigung keine scharfen, scheuernden Reinigungsmittel oder harten Gegenstände, da diese das Gerät beschädigen können.

► Reinigen Sie das Produkt gelegentlich mit einem feuchten Tuch.

Das Gerät ist wartungsfrei.

## Fehlersuche und Fehlerbehebung

Status	Wechselrichter/externe LED	LED prüfen	Signalton	Ausgang 230-V-Wechselstrom
Start des Wechselrichters	On	Ein (1 Sekunde)	1x	On
Normaler Betrieb	On	Aus	Aus	On
Unterspannungswarning	On	Aus	2x/Pause	On
Unterspannung	On	On	3x/Pause	On
Überspannung	On	On	4x/Pause	On
Übertemperatur	On	On	5x/Pause	On
Überlastwarning	On	Aus	1x kurz/Pause	On
Überlast	Aus	On	Permanent	Aus
Kurzschluss	Aus	On	Permanent	Aus

Eingangsparameter	Spannungsbereich	Beschreibung
Normaler Betrieb	11,5 V – 14,0 V	
Optimaler Betrieb	13,0 V – 14,0 V	
Unterspannungswarnung	11,2 V – 10,7 V	Signalton: 2x/Pause
Stopp – Unterspannungswarnung	< 10,7 V +/- 0,2 V	Wechselrichter aus, Signalton: 2x/Pause
Neustart – Unterspannung	> 12,0 V +/- 0,2 V	Wechselrichter ein
Stopp – Überspannung	> 15,0 V	Wechselrichter aus, Signalton: 4x/Pause Eine Spannung von > 16 V kann zu Schäden am Gerät führen, selbst wenn dieses nicht in Betrieb ist.



### **ACHTUNG! Beschädigungsgefahr**

Warten Sie im Fall einer Übertemperatur vor dem Neustart 5 bis 10 Minuten, damit sich das Gerät abkühlen kann.



### **ACHTUNG! Beschädigungsgefahr**

Schalten Sie bei Überlast die Last aus und reduzieren Sie die Anzahl an angeschlossenen Verbrauchern. Vermeiden Sie weitere Starts mit Überlast.

## Garantie

Es gilt die gesetzliche Gewährleistungsfrist. Sollte das Produkt defekt sein, wenden Sie sich bitte an Ihren Fachhändler oder die Niederlassung des Herstellers in Ihrem Land (siehe [domestic.com/dealer](http://domestic.com/dealer)).

Bitte senden Sie bei einem Reparatur- bzw. Garantieantrag folgende Unterlagen mit dem Produkt ein:

- Eine Kopie der Rechnung mit Kaufdatum
- Einen Reklamationsgrund oder eine Fehlerbeschreibung

Bitte beachten Sie, dass eigenständig oder nicht fachgerecht durchgeführte Reparaturen die Sicherheit gefährden und zum Erlöschen der Garantie führen können.

## Entsorgung

### Recycling von Produkten mit nicht austauschbaren Batterien, wiederaufladbaren Batterien oder Leuchtmitteln



Wenn das Produkt nicht austauschbare Batterien, wiederaufladbare Batterien oder Leuchtmittel enthält, brauchen Sie diese vor der Entsorgung nicht zu entfernen.



Wenn Sie das Gerät endgültig entsorgen möchten, informieren Sie sich bitte bei Ihrem Wertstoffhof vor Ort oder bei Ihrem Fachhändler, wie dies gemäß den geltenden Entsorgungsvorschriften zu tun ist.


- Das Produkt kann kostenlos entsorgt werden.

### Recycling von Verpackungsmaterial



➤ Geben Sie das Verpackungsmaterial möglichst in den entsprechenden Recycling-Müll.

## Technische Daten

	<b>MT PL 300 SI</b>	<b>MT PL 600 SI</b>	<b>MT PL 1500 SI</b>	<b>MT PL 2000 SI</b>
Eingang – Nennspannung	12 V ===			
Eingang – Spannungsbereich	10,5–15 V===			
Ausgang – Nennspannung	230 V ~ /50 Hz/TDH < 3 %			
Ausgang – Nennleistung	300 W	600 W	1500 W	2000 W
Überlast/1 Sekunde	500 W	1000 W	2600 W	4000 W
Leerlaufstrom	0,4A	0,7A	0,8 A – 1,0 A	0,8 A – 1,0 A
Nennleistung max. Strom	30 A	60 A	150 A	200 A
Wirkungsgrad	87–94 %			
Gewicht ca.	1500 g	2000 g	3800 g	6300 g
Abmessungen (L x B x H), in mm	220 × 165 × 80	240 × 165 × 80	380 × 175 × 100	254 × 463 × 118
Batteriekabel	6 mm <sup>2</sup>	10 mm <sup>2</sup>	35 mm <sup>2</sup>	50 mm <sup>2</sup>
Sicherung im Batteriekabel enthalten	30 A	60 A	175 A	225 A
Kühlung	temperatur- und lastabhängig			
Schutzfunktionen	Überlast, Übertemperatur, Ausgangskurzschluss, Überspannung, Unterspannung			
Fernbedienungsingang	12 V===/30 mA			
Schutzklasse/IP-Schutzart	Klasse I/IP20			
Zertifikate				



Veillez lire et suivre attentivement l'ensemble des instructions, directives et avertissements figurant dans ce manuel afin de vous assurer que vous installez, utilisez et entretenez le produit correctement à tout moment. Ces instructions DOIVENT rester avec le produit.

En utilisant ce produit, vous confirmez expressément avoir lu attentivement l'ensemble des instructions, directives et avertissements et que vous comprenez et acceptez de respecter les modalités et conditions énoncées dans le présent document. Vous acceptez d'utiliser ce produit uniquement pour l'usage et l'application prévus et conformément aux instructions, directives et avertissements figurant dans le présent manuel, ainsi qu'à toutes les lois et réglementations applicables. En cas de non-respect des instructions et avertissements figurant dans ce manuel, vous risquez de vous blesser ou de blesser d'autres personnes, d'endommager votre produit ou d'endommager d'autres biens à proximité. Le présent manuel du produit, y compris les instructions, directives et avertissements, ainsi que la documentation associée peuvent faire l'objet de modifications et de mises à jour. Pour obtenir des informations actualisées sur le produit, veuillez consulter le site [documents.domestic.com](http://documents.domestic.com).

## Sommaire

Signification des symboles	25
Consignes de sécurité	25
Contenu de la livraison	26
Accessoires	26
Groupe cible	27
Usage conforme	27
Description technique	27
Installation de l'appareil	27
Utilisation de l'appareil	28
Nettoyage et entretien	30
Dépannage	30
Garantie	31
Mise au rebut	31
Données techniques	32

## Signification des symboles



### AVERTISSEMENT !

**Consignes de sécurité :** indiquent une situation dangereuse qui, si elle n'est pas évitée, est susceptible d'entraîner des blessures graves, voire mortelles.



### ATTENTION !

**Consignes de sécurité :** indiquent une situation dangereuse qui, si elle n'est pas évitée, est susceptible d'entraîner des blessures légères ou de gravité modérée.



### AVIS !

indiquent une situation dangereuse qui, si elle n'est pas évitée, peut entraîner des dommages matériels.



### REMARQUE

Informations complémentaires sur l'utilisation de ce produit.

## Consignes de sécurité



**DANGER ! Le non-respect de cette mise en garde entraînera des blessures graves, voire mortelles.**

### Risque d'incendie/matériaux inflammables

- En cas d'incendie, utilisez un extincteur adapté aux appareils électriques.

### Risque d'électrocution

- Veillez à ce que la pince rouge et la pince noire ne se touchent jamais.
- Si l'appareil ou le câble de raccordement présentent des dommages visibles, n'utilisez pas l'appareil.
- Si le câble de raccordement en courant de l'appareil est endommagé, il doit être remplacé par le fabricant, un agent de service ou une personne de qualification similaire, afin d'éviter tout danger.
- Il se peut que certaines pièces de l'appareil restent sous tension, même après déclenchement du fusible.
- Seul un personnel qualifié est habilité à effectuer des réparations sur l'appareil. Toute réparation inappropriée risque d'entraîner de graves dangers.
- Lorsque vous effectuez des travaux sur des installations électriques, assurez-vous qu'une personne pouvant vous assister en cas d'urgence se trouve à proximité.
- Avant de démonter l'appareil, débranchez toutes les connexions et assurez-vous qu'aucune tension n'est présente au niveau des entrées et des sorties.

- Ne touchez jamais les câbles dénudés à mains nues. Cela est surtout valable en cas de fonctionnement sur secteur.
- Débranchez l'appareil du secteur avant d'effectuer les tâches suivantes :
  - Nettoyage et entretien.
  - Remplacement d'un fusible.
- Ne débranchez pas de câbles pendant le fonctionnement de l'appareil.
- Avant de mettre l'appareil en service, assurez-vous que la ligne d'alimentation électrique et le connecteur sont secs.
- Afin qu'il soit possible de couper rapidement l'appareil du secteur, la prise secteur doit se trouver à proximité de l'appareil et être facilement accessible.

### Risque pour la santé

- Cet appareil peut être utilisé par des enfants âgés de 8 ans et plus et des personnes ayant des capacités physiques, sensorielles ou mentales réduites ou un manque d'expérience et de connaissances, s'ils sont sous surveillance ou ont reçu des instructions sur l'utilisation de l'appareil en toute sécurité et comprennent les risques impliqués.
- Stockez toujours l'appareil hors de portée des enfants.
- Les enfants doivent être surveillés pour s'assurer qu'ils ne jouent pas avec l'appareil
- Le nettoyage et l'entretien ne doivent pas être effectués par des enfants sans surveillance.

### Risque de blessure

- Posez les câbles de manière à exclure tout risque de trébuchement ou d'endommagement du câble.

### Risque d'explosion

- N'utilisez pas l'appareil dans les conditions suivantes :
  - dans des milieux humides.
  - à proximité de fumées corrosives.
  - à proximité de matériaux combustibles.
  - en présence de gaz et de poussières explosifs.



### REMARQUE Risque d'endommagement

- N'exposez pas l'appareil à des sources de chaleur (rayonnement solaire, chauffage, etc.). Vous éviterez ainsi une surchauffe supplémentaire de l'appareil.

- Installez l'appareil dans un endroit sec et à l'abri des éclaboussures d'eau.
- L'appareil ne doit pas être monté dans des environnements poussiéreux.
- Assurez-vous que la surface de montage est capable de supporter le poids de l'appareil.
- Si des lignes électriques doivent traverser des cloisons en tôle ou autres murs à arêtes vives, utilisez des tubes vides ou des conduits pour câbles.
- Posez les câbles de manière à ce qu'ils ne puissent pas être endommagés par les portières ou par le capot du moteur.
- Ne placez pas les câbles 230 V et la ligne de courant continu 12 V dans le même conduit (tube vide).
- Ne posez pas les lignes sans les fixer ou en les pliant.
- Fixez les câbles solidement.
- Ne tirez pas sur les câbles.
- Utilisez uniquement des prises de courant mises à la terre protégées par un disjoncteur différentiel.
- Veillez à avoir une section de câble suffisante.
- Assurez-vous que les entrées et les sorties d'air de l'appareil ne sont pas couvertes.
- Veillez à une bonne ventilation.

## Contenu de la livraison

Quantité	Description
1	Onduleur sinusoïdal pur
1	Instructions de montage et d'utilisation
1	Télécommande
1	Câble de 5 m pour la télécommande
2	Câbles CC flexibles de 1,2 m avec protection par fusible

## Accessoires

Description	Référence produit
Commutateur de priorité secteur avancé	9620000195 (MT12200)
Ordinateur à batterie	9620000218 (MT01265)

## Groupe cible



L'installation et la configuration électriques de l'appareil doivent être effectuées par un électricien qualifié disposant des compétences et connaissances structurelles et fonctionnelles requises en matière d'équipements et d'installations électriques, au fait des réglementations en vigueur dans le pays dans lequel l'équipement doit être installé et/ou utilisé, et ayant suivi une formation de sécurité pour identifier et éviter les dangers impliqués.

Toutes les autres actions sont également destinées aux utilisateurs non professionnels.

## Usage conforme

L'appareil est conçu pour fournir une tension de 230 V aux prises connectées.

L'appareil est conçu pour un usage en intérieur. Ce produit convient uniquement à l'usage et à l'application prévus, conformément aux présentes instructions.

Ce manuel fournit les informations nécessaires à l'installation et/ou à l'utilisation correcte du produit. Une installation, une utilisation ou un entretien inappropriés entraînera des performances insatisfaisantes et une éventuelle défaillance.

Le fabricant décline toute responsabilité en cas de blessure ou de dégâts sur le produit résultant :

- D'un montage ou d'un raccordement incorrect, y compris d'une surtension
- D'un entretien inadapté ou de l'utilisation de pièces de rechange autres que les pièces de rechange d'origine fournies par le fabricant
- De modifications apportées au produit sans autorisation explicite du fabricant
- D'usages différents de ceux décrits dans ce manuel

Dometic se réserve le droit de modifier l'appareil et les spécifications produit.

## Description technique

L'appareil est un onduleur sinusoïdal pur CC-CA.

En outre, l'appareil offre des fonctionnalités telles que :

- Microprocesseur intégré
- Sortie CA stabilisée à quartz
- Protection contre les surcharges électriques et thermiques
- Protection contre la sous-tension
- Protection contre la surtension
- Ventilateur à température contrôlée

## Installation de l'appareil

### Instructions de montage

- Le montage de l'appareil peut être horizontal ou vertical. Le montage de l'appareil à l'envers n'est pas autorisé (fig. **6**, page 5).
- Pour un refroidissement correct, observez un dégagement d'au moins 100 mm tout autour du dispositif (fig. **5**, page 5).
- La télécommande doit être installée dans un endroit accessible.

### Montage de l'appareil



#### AVIS ! Risque d'endommagement

Avant de commencer à percer, assurez-vous qu'aucun câble électrique ou autre élément du véhicule ne risque d'être endommagé par le perçage, le sciage ou le limage.

1. Marquez et percez 8 trous sur la surface de montage (fig. **7**, page 6).
2. Fixez solidement l'appareil (fig. **7**, page 6).

### Montage de la télécommande



#### AVIS ! Risque d'endommagement

Avant de commencer à percer, assurez-vous qu'aucun câble électrique ou autre élément du véhicule ne risque d'être endommagé par le perçage, le sciage ou le limage.

1. Découpez la surface de montage (fig. **2**, page 3).
2. Connectez la télécommande à l'aide du câble (fig. **1**, page 3, **5**).

3. Montez la télécommande.

## Raccordement de l'appareil

1. Posez toutes les conduites nécessaires.
2. Utilisez un câble avec une section transversale de 4 mm<sup>2</sup> pour raccorder la prise de masse de l'appareil à la terre.
3. Sécurisez tous les les lignes avec des décharges de traction.
4. Raccordez l'appareil (fig. **1**, page 3).



### AVIS ! Risque d'endommagement

Les câbles de la batterie ne doivent pas être connectés à la batterie en polarité inversée, sous peine d'endommager l'appareil.

Pour les applications où l'onduleur alimente plusieurs prises, un dispositif de protection doit être utilisé. Dans ce cas, la connexion de la ligne neutre (N) à la masse (PE) est nécessaire.

## MT PL300-1500 SI

- Raccordez la borne de masse du châssis et la borne neutre du dispositif de protection à l'aide d'un fil d'une section transversale de 4 mm<sup>2</sup> (fig. **11**, page 8).

## MT PL 2000 SI

- Dénudez les deux extrémités d'un fil d'une section transversale de 4 mm<sup>2</sup> (fig. **12**, page 8, 3).
- À l'aide d'un tournevis, dégagez la languette de verrouillage (fig. **12**, page 8, 1).
- Insérer le fil dans la borne (fig. **12**, page 8, 2).

## Utilisation de l'appareil

### Panneau avant

fig. <b>1</b> , page 3	Description
1	Onduleur
2	fil rouge avec fusible
3	fil noir
4	Batterie
5	Télécommande
6	Connecteur
7	Prise de masse
8	Connecteur de sortie 230 V CA
9	Panneau avant
10	Connecteur Télécommande
11	Connecteur Entrée de signal à distance 12 V en option

fig. <b>4</b> , page 4	Description	
1	LED de contrôle	Indique une opération non autorisée.
2	LED d'alimentation	Indique que l'onduleur est sous tension et qu'une tension de 230 V CA est présente au niveau de la sortie.
3	Commutateur principal	<ul style="list-style-type: none"><li>• Onduleur activé, indépendamment de l'état de l'entrée de signal à distance ou de la télécommande.</li><li>• Onduleur éteint.</li><li>• Le mode Distant permet le fonctionnement de l'onduleur à l'aide de la télécommande ou de l'entrée de commande de signal à distance.</li></ul>

5. Assurez-vous que toutes les attaches sont correctement fixées et que les connexions sont bien serrées, y compris au niveau du fusible.

## Connexion de la ligne neutre à la masse



### AVERTISSEMENT ! Risque d'électrocution

L'installation peut uniquement être effectuée par un électricien qualifié.

## Télécommande

fig. 3, page 4	Description	
1	LED de contrôle	Indique une opération non autorisée.
2	Externe	Indique que l'onduleur est activé via l'entrée de signal à distance supplémentaire avec un signal de commande de 12 V CC.
3	Onduleur	Indique que l'onduleur est en fonctionnement et qu'une tension de 230 V CA est présente à la sortie.
4	Touche MARCHÉ/ARRÊT	Utilisé pour mettre l'onduleur sous tension ou hors tension manuellement, lorsque le commutateur principal de l'appareil est en position Distant.

## Alimentation directe des consommateurs au niveau de l'onduleur

Tous les appareils disposent d'une prise d'alimentation pour la connexion directe de consommateurs 230 V CA (fig. 8, page 6).

## Alimentation de plusieurs prises via l'onduleur



### AVERTISSEMENT ! Risque d'électrocution

L'installation peut uniquement être effectuée par un électricien qualifié.

L'appareil peut fournir une tension 230 V CA à plusieurs prises à la fois. En cas d'utilisation de plusieurs prises, le dispositif de protection approprié doit être installé (fig. 9, page 7).

## Alimentation de plusieurs prises via l'onduleur et une source d'alimentation externe avec interrupteur de priorité secteur



### AVERTISSEMENT ! Risque d'électrocution

L'installation peut uniquement être effectuée par un électricien qualifié.

L'alimentation 230 V CA de l'onduleur et d'une source externe peuvent être alternées à l'aide d'un commutateur de priorité secteur. En cas d'utilisation d'un commutateur de priorité secteur, le dispositif de protection approprié doit être installé (fig. 10, page 7).

## Entrée de signal de commande supplémentaire

L'appareil est doté d'une entrée de signal de commande de 12 V permettant de connecter un commutateur manuel ou un système de commande externe (fig. 1, page 3, 11).

Le signal de la télécommande doit être connecté à la polarité correcte de la fiche sur le panneau avant (fig. 1, page 3, 11).

► Observez les applications possibles de l'entrée du signal de commande (fig. 13, page 9).

fig. 13, page 9	Description
1	Commande via le commutateur externe
2	Commande via tension de signal positive
3	Commande via basculement vers la masse

L'activation de l'entrée du signal de commande a une priorité plus élevée que celle de la télécommande. Cela signifie que lorsque l'onduleur est activé via l'entrée du signal de commande, l'appareil ne peut pas être éteint à l'aide de la télécommande.

► Pour activer l'entrée de signal 12 V, réglez le commutateur principal de l'appareil sur la position *REMOTE* (fig. 4, page 4, 3).

## Nettoyage et entretien



### AVERTISSEMENT ! Risque d'électrocution

Débranchez toujours la prise secteur avant de nettoyer et d'entretenir l'appareil.



### AVIS ! Risque d'endommagement

Ne nettoyez jamais l'appareil sous l'eau ou dans un lave-vaisselle. N'utilisez ni détergents abrasifs, ni objets durs pour le nettoyage, ceux-ci pouvant endommager le dispositif.

► Nettoyez de temps en temps le produit avec un chiffon humide.

L'appareil ne nécessite aucun entretien.

## Dépannage

État	LED d'alimentation onduleur/externe	LED de contrôle	Signal acoustique	Sortie 230 V CA
Démarrage de l'onduleur	Marche	Marche (1 seconde)	1x	Marche
Fonctionnement normal	Marche	Arrêt	Arrêt	Marche
Avertissement de sous-tension	Marche	Arrêt	2x/pause	Marche
Sous-tension	Marche	Marche	3x/pause	Marche
Surtension	Marche	Marche	4x/pause	Marche
Surchauffe	Marche	Marche	5x/pause	Marche
Avertissement de surcharge	Marche	Arrêt	1x court/pause	Marche
Overload	Arrêt	Marche	continu	Arrêt
court-circuit	Arrêt	Marche	continu	Arrêt

Paramètres d'entrée	Plage de tensions	Description
Fonctionnement normal	11,5 V - 14,0 V	
Fonctionnement optimal	13,0 V - 14,0 V	
Avertissement de sous-tension	11,2 V - 10,7 V	Signal acoustique : 2x/pause
Arrêt - avertissement de tension faible	< 10,7 V +/- 0,2 V	Onduleur désactivé, signal acoustique : 2x/pause
Redémarrage - tension faible	> 12,0 V +/- 0,2 V	Onduleur activé
Arrêt - surtension	> 15,0 V	Onduleur désactivé, signal acoustique : 4x/pause Tension > 16 V - peut endommager l'appareil même s'il n'est pas en fonctionnement

Si l'onduleur a arrêté de fonctionner pour l'une des raisons décrites précédemment, un redémarrage manuel peut être effectué.

► Pour redémarrer manuellement l'onduleur, éteignez-le à l'aide du commutateur de l'appareil ou appuyez sur le bouton *ON/OFF* (fig. **3**, page 4, **4**) de la télécommande jusqu'à ce que la LED *CHECK* (fig. **3**, page 4, **1**) s'éteigne. Après un court délai d'attente, l'onduleur peut être redémarré.

Si après le redémarrage, le réglage est toujours supérieur ou inférieur aux valeurs limites, le démarrage est bloqué, puis la LED et la séquence de signaux sonores correspondantes indiquent une défaillance.



#### **AVIS ! Risque d'endommagement**

En cas de surchauffe, attendez 5 à 10 minutes pour que l'appareil refroidisse avant de le redémarrer.



#### **AVIS ! Risque d'endommagement**

En cas de surcharge, désactivez la charge et réduisez le nombre de consommateurs connectés. Évitez les démarrages supplémentaires en cas de surcharge.

## Garantie

La période de garantie légale s'applique. Si le produit est défectueux, contactez votre revendeur ou la filiale locale du fabricant (voir [dometic.com/dealer](http://dometic.com/dealer)).

Pour toutes réparations ou autres prestations de garantie, veuillez joindre au produit les documents suivants :

- Une copie de la facture avec la date d'achat
- Un motif de réclamation ou une description du dysfonctionnement

Notez que toute réparation effectuée par une personne non agréée peut présenter un risque de sécurité et annuler la garantie.

## Mise au rebut

### **Recyclage des produits contenant des piles non remplaçables, des batteries ou des sources lumineuses rechargeables**



► Si le produit contient des piles non remplaçables, des batteries ou des sources lumineuses rechargeables, vous n'avez pas besoin de les retirer avant de les mettre au rebut.



► Si vous souhaitez mettre le produit au rebut, contactez le centre de recyclage le plus proche ou votre revendeur spécialisé afin d'être informé des réglementations liées au traitement des déchets.


- Le produit peut être mis au rebut gratuitement.

### **Recyclage des emballages**



► Dans la mesure du possible, jetez les emballages dans les conteneurs de déchets recyclables prévus à cet effet.

## Données techniques

	<b>MT PL 300 SI</b>	<b>MT PL 600 SI</b>	<b>MT PL 1500 SI</b>	<b>MT PL 2000 SI</b>
Tension nominale d'entrée	12 V $\equiv$			
Gamme de tensions d'entrée	10,5 - 15 V $\equiv$			
Tension nominale de sortie	230 V $\sim$ / 50 Hz/TDH < 3 %			
Alimentation nominale de sortie	300 W	600 W	1500 W	2000 W
Surcharge/1 seconde	500 W	1000 W	2600 W	4000 W
Courant de veille	0,4 A	0,7 A	0,8 A-1,0 A	0,8 A-1,0 A
Courant max. de puissance nominale	30 A	60 A	150 A	200 A
Rendement	87-94 %			
Poids approximatif	1500 g	2000 g	3800 g	6300 g
Dimensions (L x l x H), en mm	220 x 165 x 80	240 x 165 x 80	380 x 175 x 100	254 x 463 x 118
Câbles de batterie	6 mm <sup>2</sup>	10 mm <sup>2</sup>	35 mm <sup>2</sup>	50 mm <sup>2</sup>
Fusible inclus dans le câble de batterie	30 A	60 A	175 A	225 A
Refroidissement	En fonction de la température et de la charge			
Protection	Surcharge, surchauffe, court-circuit de sortie, surtension, basse tension			
Entrée de la télécommande	12 V $\equiv$ /30 mA			
Classe de protection/indice IP	Classe I/IP20			
Certification				



Leggere attentamente e seguire tutte le istruzioni, le linee guida e le avvertenze incluse in questo manuale del prodotto, per assicurarsi che il prodotto venga sempre installato, utilizzato e mantenuto nel modo corretto. Queste istruzioni DEVONO essere conservate insieme al prodotto.

Utilizzando il prodotto, l'utente conferma di aver letto attentamente tutte le istruzioni, le linee guida e le avvertenze e di aver compreso e accettato di rispettare i termini e le condizioni qui espressamente indicati. L'utente accetta di utilizzare questo prodotto solo per lo scopo e l'applicazione previsti e in conformità con le istruzioni, le linee guida e le avvertenze indicate nel presente manuale del prodotto, nonché con tutte le leggi e i regolamenti applicabili. La mancata lettura e osservanza delle istruzioni e delle avvertenze qui espressamente indicate può causare lesioni personali e a terzi, danni al prodotto o ad altre proprietà nelle vicinanze. Il presente manuale del prodotto, comprese le istruzioni, le linee guida e le avvertenze e la relativa documentazione possono essere soggetti a modifiche e aggiornamenti. Per informazioni aggiornate sul prodotto, visitare il sito [documents.dometic.com](http://documents.dometic.com).

## Indice

Spiegazione dei simboli . . . . .	33
Istruzioni per la sicurezza . . . . .	33
Dotazione . . . . .	34
Accessori . . . . .	34
Destinatari . . . . .	35
Destinazione d'uso . . . . .	35
Descrizione delle caratteristiche tecniche . . . . .	35
Installazione del dispositivo . . . . .	35
Impiego dell'apparecchio . . . . .	36
Pulizia e cura . . . . .	38
Risoluzione dei problemi . . . . .	38
Garanzia . . . . .	39
Smaltimento . . . . .	39
Specifiche tecniche . . . . .	40

## Spiegazione dei simboli



### AVVERTENZA!

**Istruzione per la sicurezza:** indica una situazione di pericolo che, se non evitata, può provocare lesioni gravi o mortali.



### ATTENZIONE!

**Istruzione per la sicurezza:** indica una situazione di pericolo che, se non evitata, può provocare lesioni di entità lieve o moderata.



### AVVISO!

Indica una situazione di pericolo che, se non evitata, può provocare danni alle cose.



### NOTA

Informazioni supplementari relative all'impiego del prodotto.

## Istruzioni per la sicurezza



### PERICOLO! La mancata osservanza di queste avvertenze può causare la morte o lesioni gravi.

#### Pericolo di incendio/materiali infiammabili

- In caso di incendio usare un estintore per apparecchi elettrici.

#### Pericolo di scosse elettriche

- Fare attenzione che il morsetto rosso e quello nero non entrino mai in contatto.
- Se l'apparecchio o il cavo di collegamento presentano danni visibili, non usare l'apparecchio.
- Se il cavo di collegamento dell'apparecchio è danneggiato, farlo sostituire dal fabbricante, dal servizio di assistenza o da personale con la qualifica necessaria per evitare pericoli per la sicurezza.
- Anche se il fusibile è bruciato, alcuni componenti dell'apparecchio possono rimanere sotto tensione.
- Questo apparecchio può essere riparato solo da personale qualificato. Le riparazioni effettuate in modo scorretto possono causare gravi pericoli.
- Quando si eseguono lavori agli impianti elettrici, assicurarsi che nelle vicinanze si trovi qualcuno in grado di intervenire in caso di emergenza.
- Prima di smontare l'apparecchio, scollegare tutti i collegamenti e assicurarsi che non sia presente tensione in nessuno degli ingressi e delle uscite.
- Non toccare mai i cavi esposti a mani nude. Questo vale soprattutto per il funzionamento con rete di alimentazione CA.
- Scollegare l'apparecchio dalla rete elettrica prima di eseguire le seguenti operazioni:
  - pulizia e manutenzione
  - sostituzione di un fusibile.
- Non staccare nessun cavo se il dispositivo è ancora in funzione.

- Prima della messa in funzione dell'apparecchio, assicurarsi che la rete di alimentazione e la spina siano asciutte.
- Per essere in grado di staccare velocemente l'apparecchio dalla rete in caso di pericolo, è necessario che la presa si trovi nelle vicinanze dell'apparecchio e che sia facilmente accessibile.

### Pericolo per la salute

- Questo apparecchio può essere utilizzato da bambini di età superiore a 8 anni, da persone con capacità fisiche, sensoriali o mentali ridotte o da persone inesperte solo se preventivamente istruite sull'utilizzo in sicurezza o supervisionate e solo se informate dei pericoli legati al prodotto stesso.
- Tenere sempre l'apparecchio lontano dalla portata dei bambini.
- Controllare che i bambini non giochino con l'apparecchio.
- La pulizia e la manutenzione non devono essere eseguite da bambini senza la presenza di un adulto.

### Rischio di lesioni

- Posare i cavi in modo tale che non sussista pericolo di inciampo e che si possano escludere eventuali danni al cavo.

### Pericolo di esplosione

- Non utilizzare l'apparecchio nelle seguenti circostanze:
  - ambienti umidi o bagnati
  - in prossimità di fumi corrosivi
  - in prossimità di materiali combustibili
  - rischio di esplosione di gas o polveri.



### NOTA Rischio di danni

- Non esporre l'apparecchio a fonti di calore (esposizione ai raggi solari o riscaldamento). Evitare che l'apparecchio si surriscaldi ulteriormente.
- Installare l'apparecchio in un luogo asciutto e protetto da eventuali spruzzi d'acqua.
- Non montare il dispositivo in ambienti polverosi.
- Assicurarsi che la superficie di montaggio sia in grado di sostenere il peso dell'apparecchio.
- Utilizzare tubi vuoti o canaline per cavi qualora i cavi debbano passare attraverso pannelli in lamiera oppure pannelli con spigoli vivi.

- Posare i cavi in modo che non possano essere danneggiati se fatti passare attraverso porte o cofani del motore.
- Non posare la linea di rete da 230 V e la linea a corrente continua da 12 V insieme nello stesso condotto (tubo vuoto).
- Non posare i cavi lasciandoli penzolare o creando strozzature.
- Fissare i cavi in modo saldo.
- Non tirare i cavi.
- Utilizzare sempre prese collegate a terra e protette da un interruttore differenziale di protezione.
- Assicurarsi che la sezione del cavo di collegamento sia sufficientemente ampia.
- Assicurarsi che le aperture di ventilazione e di sfogo dell'apparecchio non siano coperte.
- Garantire una buona ventilazione.

## Dotazione

Quantità	Descrizione
1	Inverter a onda sinusoidale pura
1	Istruzioni di montaggio e d'uso
1	Controllo remoto
1	Cavo da 5 m per il controllo remoto
2	Cavi CC flessibili da 1,2 m con protezione con fusibile

## Accessori

Descrizione	SKU
Interruttore di priorità alla rete avanzato	9620000195 (MT12200)
Computer batteria	9620000218 (MT01265)

## Destinatari



L'installazione elettrica e la configurazione dell'apparecchio devono essere eseguite da un elettricista qualificato che abbia dimostrato competenze e conoscenze relative alla costruzione e al funzionamento delle apparecchiature elettriche e alle installazioni, e che conosca le normative vigenti nel Paese in cui l'apparecchiatura deve essere installata e/o utilizzata e abbia ricevuto una formazione sulla sicurezza per identificare ed evitare i pericoli coinvolti.

Tutte le altre azioni sono destinate anche agli utenti non professionali.

## Destinazione d'uso

L'apparecchio è progettato per fornire 230 V alle prese collegate.

L'apparecchio è destinato all'uso in ambienti interni.

Questo prodotto è adatto solo per l'uso e l'applicazione previsti in conformità con le presenti istruzioni.

Il presente manuale fornisce le informazioni necessarie per la corretta installazione e/o il funzionamento del prodotto. Un'installazione errata e/o un utilizzo o una manutenzione impropri comporteranno prestazioni insoddisfacenti e un possibile guasto.

Il fabbricante non si assume alcuna responsabilità per eventuali lesioni o danni al prodotto che derivino da:

- Montaggio o collegamento non corretti, compresa la sovratensione
- Manutenzione non corretta o uso di parti di ricambio diverse da quelle originali fornite dal fabbricante
- Modifiche al prodotto senza esplicita autorizzazione del fabbricante
- Impiego per scopi diversi da quelli descritti nel presente manuale

Dometic si riserva il diritto di modificare l'aspetto e le specifiche del prodotto.

## Descrizione delle caratteristiche tecniche

L'apparecchio è un inverter a onda sinusoidale reale da CC a CA.

Inoltre, l'apparecchio offre funzioni quali:

- microprocessore integrato
- uscita CA stabilizzata al quarzo
- protezione da sovraccarico elettrico e termico
- protezione contro la bassa tensione
- protezione da sovratensione
- ventola a temperatura controllata

## Installazione del dispositivo

### Istruzioni di montaggio

- L'apparecchio può essere montato orizzontalmente o verticalmente. Non è consentito montare l'apparecchio capovolto (fig. **6**, pagina 5).
- Per un corretto raffreddamento, lasciare almeno 100 mm di spazio libero intorno a tutti i lati dell'apparecchio (fig. **5**, pagina 5).
- Il controllo remoto deve essere installato in un luogo accessibile.

### Montaggio dell'apparecchio



#### AVVISO! Rischio di danni

Prima di effettuare qualsiasi tipo di foro, assicurarsi che nessun cavo elettrico o altri componenti del veicolo vengano danneggiati durante l'uso di trapani, seghe e lime.

1. Segnare e praticare 8 fori sulla superficie di montaggio (fig. **7**, pagina 6).
2. Fissare saldamente l'apparecchio (fig. **7**, pagina 6).

### Montaggio del controllo remoto



#### AVVISO! Rischio di danni

Prima di effettuare qualsiasi tipo di foro, assicurarsi che nessun cavo elettrico o altri componenti del veicolo vengano danneggiati durante l'uso di trapani, seghe e lime.

1. Creare un'apertura nella superficie di montaggio (fig. **2**, pagina 3).
2. Collegare il controllo remoto tramite il cavo (fig. **1**, pagina 3, **5**).
3. Installare il controllo remoto.
5. Assicurarsi che tutti gli elementi di fissaggio siano serrati correttamente e che i collegamenti siano saldi, compresi i collegamenti sul fusibile.

## Collegamento della linea neutra a terra



### AVVERTENZA! Pericolo di scosse elettriche

L'installazione può essere eseguita solo da un elettricista qualificato.

## Collegamento dell'apparecchio

1. Posare tutte le linee necessarie.
2. Utilizzare un cavo con sezione di 4 mm<sup>2</sup> per collegare il collegamento di messa a terra dell'apparecchio alla messa a terra.
3. Assicurare tutte le linee con fascette di scarico della trazione.
4. Collegare l'apparecchio (fig. **1**, pagina 3).



### AVVISO! Rischio di danni

I cavi della batteria non devono essere collegati alla batteria con polarità inversa, altrimenti potrebbero verificarsi danni all'apparecchio.

Nelle applicazioni in cui l'inverter prevede più prese, è necessario utilizzare un dispositivo di protezione. In questo caso è necessario collegare la linea neutra (N) alla messa a terra di protezione (PE).

## MT PL300-1500 SI

- Collegare il terminale di massa del telaio e il terminale neutro del dispositivo di protezione utilizzando un filo con sezione di 4 mm<sup>2</sup> (fig. **11**, pagina 8).

## MT PL 2000 SI

- Spelare entrambe le estremità di un filo con una sezione di 4<sup>2</sup> (fig. **12**, pagina 8, 3).
- Con un cacciavite, rilasciare la linguetta di bloccaggio (fig. **12**, pagina 8, **1**).
- Inserire il filo nel terminale (fig. **12**, pagina 8, **2**).

## Impiego dell'apparecchio

### Pannello frontale

fig. **4**,  
pagina  
**4**

Descrizione

- |   |                  |                                   |
|---|------------------|-----------------------------------|
| 1 | LED di controllo | Indica un funzionamento limitato. |
|---|------------------|-----------------------------------|

fig. **1**,  
pagina  
**3**

Descrizione

1	Inverter	
2	filo rosso	con fusibile
3	filo nero	
4	Batteria	
5	Controllo remoto	
6	Connettore	
7	Terminale di messa a terra	
8	Presa di uscita	230 VCA
9	Pannello frontale	
10	Connettore	Controllo remoto
11	Connettore	Ingresso di segnale remoto opzionale da 12 V

## Alimentazione diretta delle utenze dall'inverter

Tutti gli apparecchi offrono una presa di corrente per il collegamento diretto di utenze da 230 VCA (fig. **8**, pagina 6).

## Alimentazione dall'inverter a più prese



### AVVERTENZA! Pericolo di scosse elettriche

L'installazione può essere eseguita solo da un elettricista qualificato.

L'apparecchio può fornire 230 VCA a più prese contemporaneamente. In caso di utilizzo di più prese, è necessario installare il dispositivo di protezione appropriato (fig. **9**, pagina 7).

## Alimentazione dall'inverter a più prese e alimentazione esterna con interruttore di priorità alla rete



### AVVERTENZA! Pericolo di scosse elettriche

L'installazione può essere eseguita solo da un elettricista qualificato.

L'alimentazione 230 VCA dell'inverter e l'alimentazione di una fonte di alimentazione esterna possono essere alternate utilizzando un interruttore di priorità alla rete. In caso di utilizzo di un interruttore di priorità alla rete, è necessario installare il dispositivo di protezione appropriato (fig. **10**, pagina 7).

## Ingresso segnale di comando aggiuntivo

L'apparecchio è dotato di un ingresso del segnale di comando a 12 V che consente il collegamento di un interruttore manuale o di un sistema di comando esterno (fig. **11**, pagina 3, **11**).

Il segnale del controllo remoto deve essere collegato alla polarità corretta della spina sul pannello anteriore (fig. **11**, pagina 3, **11**).

► Osservare le possibili applicazioni dell'ingresso del segnale di comando (fig. **13**, pagina 9).

### fig. **4**, pagina 4

#### Descrizione

2	LED di alimentazione	Indica che l'inverter è acceso e che sull'uscita è presente tensione 230 VCA.
3	Interruttore principale	<ul style="list-style-type: none"><li>• Inverter acceso, indipendentemente da un ingresso di segnale remoto o dallo stato di controllo remoto.</li><li>• Inverter spento.</li><li>• La modalità remota consente il funzionamento dell'inverter dal controllo remoto o dall'ingresso di controllo del segnale remoto.</li></ul>

## Controllo remoto

### fig. **3**, pagina 4

#### Descrizione

1	LED di controllo	Indica un funzionamento limitato.
2	Esterno	Indica che l'inverter è attivato dall'ingresso di segnale remoto aggiuntivo con il segnale di comando da 12 VCC fornito.
3	Inverter	Indica che l'inverter è in funzione e che sull'uscita sono presenti 230 VCA.
4	Tasto On/Off	Utilizzato per accendere o spegnere manualmente l'inverter, quando l'interruttore principale dell'apparecchio è in posizione remota.

fig. 13,  
pagina  
9

### Descrizione

1	Controllo tramite interruttore esterno
2	Controllo tramite tensione di segnale positiva
3	Controllo tramite commutazione verso terra

L'attivazione dell'ingresso del segnale di comando ha una priorità maggiore rispetto al controllo remoto. Ciò significa che quando l'inverter viene attivato dall'ingresso del segnale di comando, l'apparecchio non può essere spento dal controllo remoto.

► Per attivare l'ingresso del segnale a 12 V, portare l'interruttore principale dell'apparecchio nella posizione *REMOTE* (fig. 4, pagina 4, 3).

## Pulizia e cura



### AVVERTENZA! Pericolo di scosse elettriche

Scollegare sempre la spina di alimentazione prima di effettuare la pulizia e la manutenzione dell'apparecchio.



### AVVISO! Rischio di danni

Non lavare mai l'apparecchio sotto acqua corrente o in lavastoviglie. Per la pulizia non impiegare detersivi abrasivi oppure oggetti duri, perché potrebbero danneggiare l'apparecchio.

► Pulire di tanto in tanto il prodotto con un panno umido.

L'apparecchio non richiede manutenzione.

## Risoluzione dei problemi

Stato	LED inverter/esterno	LED di controllo	Segnale acustico	Uscita 230 VCA
Avvio inverter	On	On (1 secondo)	1x	On
Funzionamento normale	On	Off	Off	On
Avviso di sottotensione	On	Off	2x/interruzione	On
Sottotensione	On	On	3x/interruzione	On
Sovratensione	On	On	4x/interruzione	On
Sovratemperatura	On	On	5x/interruzione	On
Avviso di sovraccarico	On	Off	1x breve/interruzione	On
Overload	Off	On	costante	Off
cortocircuito	Off	On	costante	Off

Parametri di input	Gamma di tensione	Descrizione
Funzionamento normale	11,5 V – 14,0 V	
Funzionamento ottimale	13,0 V – 14,0 V	
Avviso di sottotensione	11,2 V – 10,7 V	Segnale acustico: 2x/interruzione

Parametri di input	Gamma di tensione	Descrizione
Arresto - avvertenza bassa tensione	< 10,7 V +/- 0,2 V	Inverter spento, segnale acustico: 2x/interruzione
Riavvio - bassa tensione	> 12,0 V +/- 0,2 V	Inverter ON
Arresto - sovratensione	> 15,0 V	Inverter spento, segnale acustico: 4x/interruzione Tensione > 16 V - può causare danni all'apparecchio anche se non è in funzione

Se l'inverter ha smesso di funzionare a causa di una delle ragioni descritte in precedenza, è possibile eseguire un riavvio manuale.

► Per riavviare manualmente l'inverter, spegnere l'interruttore dell'apparecchio o premere il **ON/OFF** tasto (fig. **3**, pagina 4, **4**) sul controllo remoto finché il **CHECK LED** (fig. **3**, pagina 4, **1**) non si spegne. Dopo un breve tempo di attesa, l'inverter può essere riavviato.

Se dopo il riavvio è ancora presente un parametro superiore o inferiore ai valori limite, l'avvio viene impedito e il LED e la sequenza del segnale acustico corrispondenti segnalano un guasto.



#### AVVISO! Rischio di danni

In caso di sovratemperatura, attendere da 5 a 10 minuti per far raffreddare l'apparecchio prima di riavviarlo.



#### AVVISO! Rischio di danni

In caso di sovraccarico, disattivare il carico e ridurre le utenze collegate. Evitare ulteriori avviamenti con sovraccarico.

## Garanzia

Vale il termine di garanzia previsto dalla legge. Se il prodotto è difettoso, contattare il rivenditore di fiducia o la filiale del fabbricante nel proprio Paese (vedi [dometic.com/dealer](http://dometic.com/dealer)).

Per la gestione della riparazione e della garanzia è necessario inviare la seguente documentazione insieme al prodotto:

- Una copia della ricevuta con la data di acquisto,
- Il motivo della richiesta o la descrizione del guasto.

Tenere presente che le riparazioni eseguite in autonomia o da personale non professionista possono avere conseguenze sulla sicurezza e invalidare la garanzia.

## Smaltimento

### Riciclaggio di prodotti con batterie non sostituibili, batterie ricaricabili o fonti di luce



► Se il prodotto contiene batterie non sostituibili, batterie ricaricabili o fonti di luce, non è necessario rimuoverle prima dello smaltimento.



► Per smaltire definitivamente il prodotto, informarsi presso il centro di riciclaggio più vicino o presso il proprio rivenditore specializzato sulle norme relative allo smaltimento.


► È possibile smaltire il prodotto gratuitamente.

### Riciclaggio del materiale da imballaggio



► Smaltire il materiale di imballaggio possibilmente negli appositi contenitori di riciclaggio.

## Specifiche tecniche

	MT PL 300 SI	MT PL 600 SI	MT PL 1500 SI	MT PL 2000 SI
Tensione nominale in ingresso	12 V ===			
Campo di tensione in ingresso	10,5 – 15 V ===			
Tensione nominale di uscita	230 V ~ / 50 Hz / TDH < 3%			
Potenza nominale in uscita	300 W	600 W	1500 W	2000 W
Sovraccarico/1 secondo	500 W	1000 W	2600 W	4000 W
Corrente al minimo	0,4 A	0,7 A	0,8 A – 1,0 A	0,8 A – 1,0 A
Corrente nominale massima	30 A	60 A	150 A	200 A
Efficienza	87–94%			
Peso (circa)	1500 g	2000 g	3800 g	6300 g
Dimensioni (L x P x A), in mm	220 × 165 × 80	240 × 165 × 80	380 × 175 × 100	254 × 463 × 118
Cavi batteria	6 mm <sup>2</sup>	10 mm <sup>2</sup>	35 mm <sup>2</sup>	50 mm <sup>2</sup>
Fusibili inclusi nel cavo batteria	30 A	60 A	175 A	225 A
Raffreddamento	A seconda della temperatura e del carico			
Protezione	Sovraccarico, surriscaldamento, cortocircuito in uscita, sovratensione, bassa tensione			
Ingresso controllo remoto	12 V === / 30 mA			
Classe di protezione/grado di protezione IP	Classe I / IP20			
Certificazione				



Lees deze gebruiksaanwijzing zorgvuldig door en volg alle instructies, richtlijnen en waarschuwingen in deze handleiding op om ervoor te zorgen dat u het product te allen tijde op de juiste manier installeert, gebruikt en onderhoudt. Deze gebruiksaanwijzing MOET bij dit product bewaard worden.

Door het product te gebruiken, bevestigt u hierbij dat u alle instructies, richtlijnen en waarschuwingen zorgvuldig hebt gelezen en dat u de voorwaarden zoals hierin beschreven begrijpt en accepteert. U gaat ermee akkoord dit product alleen te gebruiken voor het beoogde doel en de beoogde toepassing en in overeenstemming met de instructies, richtlijnen en waarschuwingen zoals beschreven in deze gebruiksaanwijzing en in overeenstemming met de geldende wet- en regelgeving. Het niet lezen en opvolgen van de hierin beschreven instructies en waarschuwingen kan leiden tot letsel voor uzelf en anderen, schade aan uw product of schade aan andere eigendommen in de omgeving. Deze gebruiksaanwijzing, met inbegrip van de instructies, richtlijnen en waarschuwingen, en de bijbehorende documentatie kan onderhevig zijn aan wijzigingen en updates. Actuele productinformatie vindt u op [documents.dometic.com](http://documents.dometic.com).

## Inhoudsopgave

Verklaring van de symbolen	41
Veiligheidsaanwijzingen	41
Omvang van de levering	42
Accessoires	42
Doelgroep	42
Beoogd gebruik	43
Technische beschrijving	43
Het toestel installeren	43
Toestel gebruiken	44
Reiniging en onderhoud	46
Problemen oplossen	46
Garantie	47
Verwijdering	47
Technische gegevens	48

## Verklaring van de symbolen



### WAARSCHUWING!

**Veiligheidsaanwijzing:** duidt op een gevaarlijke situatie die, indien deze niet wordt voorkomen, kan leiden tot ernstig letsel of de dood.



### VOORZICHTIG!

**Veiligheidsaanwijzing:** duidt op een gevaarlijke situatie die, indien deze niet wordt voorkomen, kan leiden tot licht of matig letsel.



### LET OP!

Duidt op een situatie die, indien deze niet wordt voorkomen, kan leiden tot materiële schade.



### INSTRUCTIE

Aanvullende informatie voor het gebruik van het product.

## Veiligheidsaanwijzingen



**GEVAAR! Het niet in acht nemen van deze waarschuwingen leidt tot ernstig letsel of de dood.**

### Brandgevaar/ontvlambare materialen

- Gebruik in geval van brand een brandblusser die geschikt is voor elektrische toestellen.

### Gevaar voor elektrische schokken

- Let erop dat de rode en zwarte klem elkaar nooit raken.
- Het toestel mag niet worden gebruikt als het toestel zelf of de voedingskabel zichtbaar beschadigd zijn.
- Als de voedingskabel van het toestel beschadigd is, moet deze, om gevaren te voorkomen, worden vervangen door de fabrikant, een klantenservice of gelijkwaardig bevoegd personeel.
- Onderdelen van het toestel kunnen nog onder spanning staan, zelfs als de zekering is gesprongen.
- Dit toestel mag uitsluitend worden gerepareerd door bevoegd personeel. Door ondeskundige reparaties kunnen grote gevaren ontstaan.
- Als u aan elektrische installaties werkt, zorg er dan voor dat er iemand in de buurt is die u in geval van nood kan helpen.
- Maak, voordat u het toestel uit elkaar neemt, alle verbindingen los en zorg ervoor dat er geen spanning op de in- en uitgangen staat.
- Raak blanke leidingen nooit met blote handen aan. Dit geldt vooral bij gebruik op het wisselstroomnet.
- Koppel het toestel los van de netspanning alvorens de volgende taken uit te voeren:
  - Reiniging en onderhoud.
  - Vervangen van een zekering.
- Maak geen kabels los als het toestel nog in gebruik is.
- Let er voor de ingebruikname op dat voedingskabel en stekker droog zijn.

- Om bij gevaar het toestel snel van het elektriciteitsnet te kunnen loskoppelen, moet het stopcontact zich in de buurt van het toestel bevinden en gemakkelijk toegankelijk zijn.

### **Gevaar voor de gezondheid**

- Dit toestel mag worden gebruikt door kinderen vanaf 8 jaar en ouder evenals door personen met verminderd fysiek, zintuiglijk of mentaal vermogen of gebrek aan kennis en ervaring, mits zij onder toezicht staan of zijn geïnstrueerd in het veilig gebruik van het toestel en zij inzicht hebben in de gevaren die het gebruik ervan met zich meebrengt.
- Houd het toestel altijd buiten bereik van kinderen.
- Kinderen moeten onder toezicht staan om ervoor te zorgen dat zij niet met het toestel spelen.
- Reiniging en gebruikersonderhoud mogen niet door kinderen zonder toezicht worden uitgevoerd.

### **Gevaar voor letsel**

- Leg de kabels zodanig dat er niet over kan worden gestruikeld en dat ze niet beschadigd kunnen raken.

### **Explosiegevaar**

- Gebruik het toestel niet onder de volgende omstandigheden:
  - Natte of vochtige omgevingen.
  - In de buurt van corrosieve dampen.
  - In de buurt van brandbare materialen.
  - Gevaar voor gas- of stofexplosie.



### **INSTRUCTIE Gevaar voor schade**

- Stel het toestel niet bloot aan een warmtebron (zonnestralen, verwarming enz.). Voorkom op deze wijze extra opwarming van het toestel.
- Plaats het toestel op een droge plek waar het is beschermd tegen spatwater.
- Het toestel mag niet in stoffige omgevingen worden ingebouwd.
- Zorg ervoor dat het montageoppervlak het gewicht van het toestel kan dragen.
- Gebruik holle buizen of leidingdoorvoeren, als leidingen door plaatwanden of andere wanden met scherpe randen geleid moeten worden.
- Leg de kabels zodanig dat ze niet door deuren of door de motorkap beschadigd kunnen raken.
- Leg het 230V-netsnoer en de 12V-gelijkstroomkabel niet samen in dezelfde kabelgoot.

- Leg de leidingen niet los of scherp geknikt.
- Bevestig de kabels op een veilige wijze.
- Trek niet aan de kabels.
- Gebruik altijd geaarde en door aardlekschakelaars beveiligde stopcontacten.
- Zorg voor een voldoende grote leidingdiameter.
- Zorg ervoor dat de luchtinlaten en -uitlaten van het product niet afgedekt zijn.
- Zorg voor goede ventilatie.

## **Omvang van de levering**

Aantal	Beschrijving
1	Omvormer voor zuivere sinusgolven
1	Montagehandleiding en gebruiksaanwijzing
1	Afstandsbediening
1	Kabel van 5 m voor afstandsbediening
2	Flexibele gelijkspanningskabels van 1,2 m inclusief zekeringbeveiliging

## **Accessoires**

Beschrijving	SKU
Geavanceerde netprioriteits-schakelaar	9620000195 (MT12200)
Accu computer	9620000218 (MT01265)

## **Doelgroep**



De elektrische installatie en instelling van het toestel moeten worden uitgevoerd door een bevoegde elektricien die zijn vaardigheden en kennis met betrekking tot de constructie en werking van elektrische apparatuur en installaties heeft bewezen en die vertrouwd is met de van toepassing zijnde regelgeving van het land waarin de apparatuur moet worden geïnstalleerd en/of gebruikt en die een veiligheidstraining heeft gevolgd om de betrokken gevaren te identificeren en te vermijden.

Alle andere handelingen zijn ook bestemd voor niet-professionele gebruikers.

## Beoogd gebruik

Het apparaat is ontworpen voor het voeden van 230 V naar aangesloten aansluitingen.

Het apparaat is bestemd voor gebruik binnen.

Dit product is alleen geschikt voor het beoogde gebruik en de toepassing in overeenstemming met deze gebruiksaanwijzing.

Deze handleiding geeft informatie die nodig is voor een correcte installatie en/of correct gebruik van het product. Een slechte installatie en/of onjuist gebruik of onderhoud leidt tot onbevredigende prestaties en mogelijke storingen.

De fabrikant aanvaardt geen aansprakelijkheid voor letsel of schade aan het product als gevolg van:

- Onjuiste montage of aansluiting, inclusief te hoge spanning
- Onjuist onderhoud of gebruik van andere dan door de fabrikant geleverde originele reserveonderdelen
- Wijzigingen aan het product zonder uitdrukkelijke toestemming van de fabrikant
- Gebruik voor andere doeleinden dan beschreven in deze handleiding

Dometic behoudt zich het recht voor om het uiterlijk en de specificaties van het product te wijzigen.

## Technische beschrijving

Het apparaat is een omvormer van sinusgolven van gelijkspanning naar wisselspanning.

Daarnaast biedt het apparaat de volgende functies:

- Geïntegreerde microprocessor
- Kristalgestabiliseerde wisselspanningsuitgang
- Elektrische en thermische overbelastingsbeveiliging
- Laagspanningsbeveiliging
- overspanningsbeveiliging
- Ventilator met temperatuurregeling

## Het toestel installeren

### Montageaanwijzingen

- Het toestel kan horizontaal en verticaal worden gemonteerd. Het is niet toegestaan om het apparaat ondersteboven te monteren (afb. **6**, pagina 5).
- Laat voor een goede koeling ten minste 100 mm vrije ruimte aan alle zijden van het apparaat (afb. **5**, pagina 5).
- De afstandsbediening moet op een toegankelijke plaats worden geïnstalleerd.

### Toestel monteren



#### LET OP! Gevaar voor schade

Controleer voor het boren of geen elektrische kabels of andere delen van het voertuig door boren, zagen en vijlen beschadigd kunnen raken.

1. Markeer en boor 8 gaten op het montageoppervlak (afb. **7**, pagina 6).
2. Maak het apparaat goed vast (afb. **7**, pagina 6).

### Afstandsbediening monteren



#### LET OP! Gevaar voor schade

Controleer voor het boren of geen elektrische kabels of andere delen van het voertuig door boren, zagen en vijlen beschadigd kunnen raken.

1. Snijd het montageoppervlak (afb. **2**, pagina 3) uit.
2. Sluit de afstandsbediening aan met de kabel (afb. **1**, pagina 3, 5).
3. Installeer de afstandsbediening.

### Het toestel aansluiten

1. Leg alle vereiste leidingen.
2. Gebruik een kabel met een doorsnede van 4 mm<sup>2</sup> als aardingsaansluiting van het apparaat op massa.
3. Beveilig alle leidingen met trekontlastingen.
4. Sluit het apparaat aan (afb. **1**, pagina 3).



### LET OP! Gevaar voor schade

Accukabels mogen niet met omgekeerde polariteit op de accu worden aangesloten, anders kan het toestel beschadigd raken.

## MT PL300-1500 SI

► Sluit de chassismassaklem en de neutrale klem van de beveiligingsinrichting aan met een draad met een diameter van 4 mm<sup>2</sup> (afb. **11**, pagina 8).

## MT PL 2000 SI

► Strip beide uiteinden van een draad met een doorsnede van 4 mm<sup>2</sup> (afb. **12**, pagina 8, 3).

► Maak met een schroevendraaier het borglipje (afb. **12**, pagina 8, **1**) los.

► Steek de draad in de klem (afb. **12**, pagina 8, **2**).

## Toestel gebruiken

### Voorpaneel

afb. <b>4</b> , pagina <b>4</b>	Beschrijving	
1	Controle-led	Geeft beperkte werking aan.
2	Aan/uit-led	Geeft aan dat de omvormer is ingeschakeld en dat er 230 V wisselspanning aanwezig is op de uitgang.
3	Hoofdschakelaar	<ul style="list-style-type: none"> <li>• Omvormer aan, onafhankelijk van invoer of status van de afstandsbediening.</li> <li>• Omvormer uit.</li> <li>• Met de afstandsbedieningsmodus is de omvormer met de afstandsbediening of de regeling van het afstandsbedieningssignaal te bedienen.</li> </ul>

afb. <b>1</b> , pagina <b>3</b>	Beschrijving	
1	Omvormer	
2	Rode draad	met zekering
3	Zwarte draad	
4	Accu	
5	Afstandsbediening	
6	Steekaansluiting	
7	Aardingsklem	
8	Contactdoos	230 V wisselspanning
9	Voorpaneel	
10	Steekaansluiting	Afstandsbediening
11	Steekaansluiting	Optionele 12V-signaalingang afstandsbediening

5. Zorg ervoor dat alle bevestigingen goed zijn vastgedraaid en dat de aansluitingen goed vastzitten, inclusief de aansluitingen bij de zekering.

### Nuldraad aansluiten op massa



### WAARSCHUWING! Gevaar voor elektrische schokken

De installatie mag alleen worden uitgevoerd door een bevoegde elektricien.

In toepassingen waarbij de omvormer meerdere stopcontacten voedt, moet een beveiliging worden gebruikt. In dit geval moet de nuldraad (N) worden aangesloten op de massa (PE).

## Afstandsbediening

afb. 3, pagina 4	Beschrijving	
1	Controle-led	Geeft beperkte werking aan.
2	Extern	Geeft aan dat de omvormer wordt geactiveerd vanaf de extra externe signaalingang met een stuursignaal van 12 V gelijkstroom.
3	Omvormer	Geeft aan dat de omvormer in bedrijf is en 230 V wisselstroom aanwezig is op de uitgang.
4	Toets Aan/uit	Wordt gebruikt om de omvormer handmatig in of uit te schakelen wanneer de hoofdschakelaar van het apparaat in de afstandsbedieningstand staat.

## Directe voeding van verbruikers bij de omvormer

Alle apparaten hebben een stopcontact voor directe aansluiting van 230 V wisselstroomverbruikers (afb. 8, pagina 6).

## Voeding omvormer naar meerdere aansluitingen



### WAARSCHUWING! Gevaar voor elektrische schokken

De installatie mag alleen worden uitgevoerd door een bevoegde elektricien.

Het apparaat kan 230 V wisselstroom leveren aan meerdere contactdozen tegelijk. In geval van meerdere contactdozen, moet een passende beveiliging worden geïnstalleerd (afb. 9, pagina 7).

## Omvormervoeding naar meerdere contactdozen en externe voeding met netprioriteitsschakelaar



### WAARSCHUWING! Gevaar voor elektrische schokken

De installatie mag alleen worden uitgevoerd door een bevoegde elektricien.

De 230 V wisselstroomvoeding van de omvormer en de voeding van een externe voedingsbron kunnen worden afgewisseld met een netprioriteitsschakelaar. Bij gebruik van een netprioriteitsschakelaar moet de juiste beveiliging worden geïnstalleerd (afb. 10, pagina 7).

## Extra ingang regelsignaal

Het apparaat heeft een regelsignaalingang van 12 V, waarmee een handmatige schakelaar of een extern regelsysteem (afb. 11, pagina 3, 11) kan worden aangesloten.

Het signaal van de afstandsbediening moet worden aangesloten op de juiste polariteit van de stekker op het voorpaneel (afb. 11, pagina 3, 11).

► Let op de mogelijke toepassingen van de regelsignaalingang (afb. 13, pagina 9).

afb. 13, pagina 9	Beschrijving
1	Bediening door externe schakelaar
2	Bediening door positieve signaalspanning
3	Bediening door naar de massa te schakelen

Activering van de regelsignaalingang heeft een hogere prioriteit dan de afstandsbediening. Dit betekent dat wanneer de omvormer wordt geactiveerd door de regelsignaalingang, het apparaat niet kan worden uitgeschakeld met de afstandsbediening.

► Zet, om de 12 V-signalering te activeren, de hoofdschakelaar van het apparaat in **REMOTE** de stand (afb. 4, pagina 4, 3).

## Reiniging en onderhoud



### **WAARSCHUWING! Gevaar voor elektrische schokken**

Koppel het toestel voor elke reiniging en elk onderhoud los van het stroomnet.



### **LET OP! Gevaar voor schade**

Reinig het toestel nooit onder stromend water of in de vaatwasser. Gebruik voor de reiniging geen bijtende schoonmaakmiddelen of harde voorwerpen omdat deze het toestel kunnen beschadigen.

► Reinig het product af en toe met een vochtige doek.

Het apparaat is onderhoudsvrij.

## Problemen oplossen

Status	Omvormer/extern led	Controle-led	Akoestisch signaal	Uitgang 230 V wisselstroom
Omvormer start	Aan	Aan (1 seconde)	1x	Aan
Normaal bedrijf	Aan	Uit	Uit	Aan
Onderspanningswaarschuwing	Aan	Uit	2x/pauze	Aan
Onderspanning	Aan	Aan	3x/pauze	Aan
Overspanning	Aan	Aan	4x/pauze	Aan
Overtemperatuur	Aan	Aan	5x/pauze	Aan
Waarschuwing overbelasting	Aan	Uit	1x kort/pauze	Aan
Overload	Uit	Aan	Continu	Uit
kortsluiting	Uit	Aan	Continu	Uit

Invoerparameters	Spanningsbereik	Beschrijving
Normaal bedrijf	11,5 V – 14,0 V	
Optimale werking	13,0 V – 14,0 V	
Onderspanningswaarschuwing	11,2 V – 10,7 V	Akoestisch signaal: 2x/pauze
Stop - waarschuwing lage spanning	< 10,7 V +/- 0,2 V	Omvormer uit, akoestisch signaal: 2x/pauze
Opnieuw starten - lage spanning	> 12,0 V +/- 0,2 V	Omvormer aan
Stop - overspanning	> 15,0 V	Omvormer uit, akoestisch signaal: 4x/pauze Spanning > 16 V - kan schade aan het apparaat veroorzaken, zelfs als het niet in gebruik is

Als de omvormer is gestopt vanwege een van de eerder beschreven redenen, kan een handmatige herstart worden uitgevoerd.

- ▶ Om de omvormer handmatig opnieuw te starten, schakel met de apparaatschakelaar of druk op **ON/OFF**-knop (afb. **3**, pagina 4, **4**) op de afstandsbediening tot de **CHECK** led (afb. **3**, pagina 4, **1**) uit is. Na een korte wachttijd kan de omvormer opnieuw worden gestart.

Als er na het opnieuw opstarten nog steeds een parameter boven of onder de grenswaarden is, wordt de start verhinderd en de bijbehorende led en akoestische signaalreeks geven een storing aan.



#### **LET OP! Gevaar voor schade**

Wacht in geval van oververhitting 5 tot 10 minuten tot het toestel is afgekoeld alvorens het opnieuw op te starten.



#### **LET OP! Gevaar voor schade**

Schakel in geval van overbelasting de last uit en verminder de aangesloten verbruikers. Voorkom verder starten met overbelasting.

## Garantie

De wettelijke garantieperiode is van toepassing. Als het product defect is, neem dan contact op met de detailhandel of met het filiaal van de fabrikant in uw land (zie [dometic.com/dealer](http://dometic.com/dealer)).

Stuur voor de afhandeling van reparaties of garantie de volgende documenten mee:

- Een kopie van de factuur met datum van aankoop
- De reden voor de claim of een beschrijving van de fout

Houd er rekening mee dat eigenmachtige of niet-professionele reparatie gevolgen voor de veiligheid kan hebben en dat de garantie hierdoor kan komen te vervallen.

## Verwijdering

**Producten met niet-vervangbare batterijen, oplaadbare batterijen of lichtbronnen recycelen**



Als het product niet-vervangbare batterijen, oplaadbare batterijen of lichtbronnen bevat, hoeft u die niet te verwijderen voordat u het product afvoert.



Als u het product definitief weg wilt doen, vraag dan bij het dichtstbijzijnde afvalverwerkingsbedrijf of uw dealer naar de betreffende afvoerschriften.

- ▶ Het product kan gratis worden afgevoerd.

### Verpakkingsmateriaal recycelen




▶ Gooi het verpakkingsmateriaal indien mogelijk altijd in recyclingafvalbakken.

### Verpakkingsmateriaal recycelen



▶ Gooi het verpakkingsmateriaal indien mogelijk altijd in recyclingafvalbakken.

## Technische gegevens

	MT PL 300 SI	MT PL 600 SI	MT PL 1500 SI	MT PL 2000 SI
Ingang nominale spanning	12 V===			
Ingangsspanningsbereik	10,5–15 V===			
Uitgang nominale spanning	230 V ~ /50 Hz/TDH < 3%			
Uitgang nominaal vermogen	300 W	600 W	1500 W	2000 W
Overbelasting/1 seconde	500 W	1000 W	2600 W	4000 W
Inactieve stroom	0,4 A	0,7 A	0,8 A – 1,0 A	0,8 A – 1,0 A
Nominaal vermogen max. stroom	30 A	60 A	150 A	200 A
Rendement	87–94%			
Gewicht ongeveer	1500 g	2000 g	3800 g	6300 g
Afmetingen (l x b x h), in mm	220 × 165 × 80	240 × 165 × 80	380 × 175 × 100	254 × 463 × 118
Accukabels	6 mm <sup>2</sup>	10 mm <sup>2</sup>	35 mm <sup>2</sup>	50 mm <sup>2</sup>
Zekering inbegrepen in accukabel	30 A	60 A	175 A	225 A
Koelen	Temperatuur en belasting afhankelijk			
Bescherming	Overbelasting, oververhitting, kortsluiting uitgang, overspanning, lage spanning			
Ingang afstandsbediening	12 V===/30 mA			
Beschermingsklasse/IP-klasse	Klasse I/IP20			
Certificering				



Læs og følg alle disse anvisninger, retningslinjer og advarsler i denne produktvejledning grundigt for at sikre, at du altid installerer, bruger og vedligeholder produktet korrekt. Disse anvisninger SKAL opbevares sammen med dette produkt.

Ved at benytte produktet bekræfter du hermed, at du har læst alle anvisninger, retningslinjer og advarsler grundigt, og at du forstår og er indforstået med de vilkår og betingelser, der er fastlagt heri. Du er indforstået med kun at bruge dette produkt til det beregnede formål og anvendelse i overensstemmelse med anvisningerne, retningslinjerne og advarslerne i denne produktvejledning samt i overensstemmelse med alle de gældende love og forskrifter. Manglende læsning og ignorering af disse anvisninger og advarsler kan medføre kvæstelser på dig selv og andre, skade på dit produkt eller skade på anden ejendom i nærheden. Der tages forbehold for eventuelle ændringer og opdateringer af denne produktvejledning samt anvisningerne, retningslinjerne og advarslerne samt den tilhørende dokumentation. Se documents.dometic.com for de nyeste produktinformationer.

## Indhold

Forklaring af symboler . . . . .	49
Sikkerhedshenvisninger . . . . .	49
Leveringsomfang . . . . .	50
Tilbehør . . . . .	50
Målgruppe . . . . .	50
Korrekt brug . . . . .	50
Teknisk beskrivelse . . . . .	51
Installation af apparatet . . . . .	51
Anvendelse af apparatet . . . . .	52
Rengøring og vedligeholdelse . . . . .	53
Udbedring af fejl . . . . .	53
Garanti . . . . .	54
Bortskaffelse . . . . .	55
Tekniske data . . . . .	55

## Forklaring af symboler



### ADVARSEL!

**Sikkerhedshenvisning:** Angiver en farlig situation, som kan medføre dødsfald eller alvorlig kvæstelse, såfremt den ikke undgås.



### FORSIGTIG!

**Sikkerhedshenvisning:** Angiver en farlig situation, som kan medføre mindre eller lette kvæstelser, såfremt den ikke undgås.



### VIGTIGT!

Angiver en situation, som kan medføre materielle skader, såfremt den ikke undgås.



### BEMÆRK

Supplerende oplysninger om betjening af produktet.

## Sikkerhedshenvisninger



**FARE! Manglende overholdelse af disse advarsler medfører dødelige eller alvorlige kvæstelser.**

### Brandfare/brændbare materialer

- Anvend i tilfælde af brand en ildslukker, der er egnet til elektriske apparater.

### Fare for elektrisk stød

- Sørg for, at den røde og den sorte klemme aldrig berører hinanden.
- Apparatet må ikke anvendes, hvis selve apparatet eller forbindelseskablet har synlige skader.
- Hvis apparatets strømkabel er beskadiget, skal det udskiftes af producenten, dennes servicerepræsentant eller en lignende kvalificeret person for at undgå farer.
- Dele af apparatet kan fortsat være spændingsførende, hvis sikringen er sprunget.
- Reparationer på dette apparat må kun foretages af kvalificeret personale. Ved ukorrekte reparationer kan der opstå alvorlige farer.
- Når der arbejdes på elektriske anlæg, skal det kontrolleres, at der er nogen i nærheden, som kan hjælpe i et nødstilfælde.
- Før apparatet adskilles, skal alle forbindelse afbrydes, og det skal kontrolleres, at der ikke er spænding på nogen ind- eller udgange.
- Tag aldrig fat i uisolerede ledninger med bare hænder. Dette gælder frem for alt ved tilslutning til vekselstrømmettet.
- Afbryd apparatet fra strømmettet, før følgende opgaver udføres:
  - Rengøring og vedligeholdelse.
  - Skift af en sikring.
- Løsn ikke kabler, når apparatet stadig er i brug.
- Kontrollér før ibrugtagning, at tilførselsledningen og stikket er tørre.
- For hurtigt at kunne adskille apparatet fra nettet ved farer skal stikdåsen befinde sig i nærheden af apparatet og være nem at nå.

## Sundhedsfare

- Dette apparat kan anvendes af børn over 8 år og personer med reducerede fysiske, sans- eller mentale evner eller uden erfaring eller viden, hvis de er under opsyn eller blev instrueret i sikker brug af apparatet og forstår de involverede farer.
- Hold altid apparatet uden for børns rækkevidde.
- Børn skal holdes under opsyn for at sikre, at de ikke leger med apparatet
- Rengøring og vedligeholdelse må ikke udføres af børn uden opsyn.

## Fare for kvæstelser

- Træk ledningerne, så der ikke er fare for at falde over dem, og en beskadigelse af kablet er udelukket.

## Eksplodingsfare

- Apparatet må ikke anvendes under disse forhold:
  - Fugtige eller våde omgivelser.
  - I nærheden af korrosive dampe.
  - I nærheden af brændbare materialer.
  - Risiko for gas- eller støvekspllosion.



### BEMÆRK Fare for beskadigelse

- Udsæt ikke apparatet for varmekilder (sol, varmeapparater osv.). Undgå yderligere opvarmning af apparatet.
- Stil apparatet på et tørt sted, der er beskyttet mod stænkvand.
- Apparatet må ikke monteres i støvholdige omgivelser.
- Kontrollér, at monteringsoverfladen kan bære apparatets vægt.
- Anvend tomme rør eller ledningsgennemføringer, når ledninger skal føres gennem pladevægge eller andre vægge med skarpe kanter.
- Træk ledningerne, så de ikke kan blive beskadiget af døre eller motorhjelme.
- Træk ikke 230 V-netledningen og 12 V-jævnstrømsledningen sammen i den samme ledningskanal (tomme rør).
- Træk ikke ledningerne løst eller med skarpe knæk.
- Fastgør kablerne sikkert.
- Træk ikke i kablerne.
- Anvend altid jordede stikdåser, der er sikret med et fejlstrømsrelæ.
- Sørg for et tilstrækkeligt ledningstværsnit.

- Sørg for, at apparatets luftind- og -udgange ikke er tildækkede.
- Sørg for god ventilation.

## Leveringsomfang

Antal	Beskrivelse
1	Inverter med ren sinusbølge
1	Monterings- og betjeningsvejledning
1	Fjernbetjening
1	5 m kabel til fjernbetjening
2	1,2 m fleksible jævnstrømskabler inkl. sikringsbeskyttelse

## Tilbehør

Beskrivelse	SKU
Avanceret netprioritetskobling	9620000195 (MT12200)
Battericomputer	9620000218 (MT01265)

## Målgruppe



Den elektriske installation og opsætning af apparatet skal udføres af en kvalificeret elektriker, som har godtgjort sine evner og sit kendskab med henblik på konstruktion og betjening af elektrisk udstyr og installationer, og som er bekendt med de gældende nationale forskrifter, hvor udstyret skal installeres og/eller anvendes, og som har modtaget sikkerhedsuddannelse med henblik på at kunne identificere og undgå de involverede farer.

Alle andre handlinger er også beregnet til ikke-professionelle brugere.

## Korrekt brug

Apparatet er beregnet til at forsyne 230 V tilsluttede udtag.

Apparatet er beregnet til indendørs brug.

Dette produkt er kun egnet til dets beregnede formål og anvendelse i overensstemmelse med disse anvisninger.

Denne vejledning giver dig oplysninger om, hvad der er nødvendigt med henblik på en korrekt montering og/eller drift af produktet. Dårlig montering og/eller ukorrekt drift eller vedligeholdelse medfører utilstrækkelig ydeevne og mulige fejl.

Producenten påtager sig intet ansvar for kvæstelser eller skader i forbindelse med produktet, der skyldes:

- Ukorrekt samling eller forbindelse inklusive for høj spænding
- Ukorrekt vedligeholdelse eller brug af uoriginale reservedele, der ikke stammer fra producenten
- Ændringer på produktet uden udtrykkelig tilladelse fra producenten
- Brug til andre formål end dem, der er beskrevet i vejledningen

Dometic forbeholder sig ret til at ændre produktets udseende og produktspecifikationer.

## Teknisk beskrivelse

Apparatet er en jævnstrøm til vekselstrømsinverter.

Derudover har apparatet funktioner som f.eks.:

- Integreret mikroprocessor
- Krystalstabiliseret vekselstrømsudgang
- Elektrisk og termisk overbelastningsbeskyttelse
- Lavspændingsbeskyttelse
- Overspændingsbeskyttelse
- Temperaturstyret ventilator

## Installation af apparatet

### Monteringsanvisninger

- Apparatet kan både monteres horisontalt og vertikalt. Det er ikke tilladt at montere apparatet på hovedet (fig. **6**, side 5).
- Med henblik på korrekt køling skal der som minimum være 100 mm fri plads til alle af apparatets sider (fig. **5**, side 5).

- Fjernbetjeningen bør installeret på et sted med god adgang.

### Montering af apparatet



#### VIGTIGT! Fare for beskadigelse

Før du borer, skal du kontrollere, at elektriske kabler eller andre dele på køretøjet ikke beskadiges, når der bores, saves eller files.

1. Markér og bor 8 huller på monteringsoverfladen (fig. **7**, side 6).
2. Spænd apparatet sikkert fast (fig. **7**, side 6).

### Montering af fjernbetjeningen



#### VIGTIGT! Fare for beskadigelse

Før du borer, skal du kontrollere, at elektriske kabler eller andre dele på køretøjet ikke beskadiges, når der bores, saves eller files.

1. Skær/klip monteringsoverfladen ud (fig. **2**, side 3).
2. Tilslut fjernbetjeningen vha. kablet (fig. **1**, side 3, **5**).
3. Montér fjernbetjeningen.

### Tilslutning af apparatet

1. Træk alle nødvendige ledninger.
2. Brug kabler med et tværsnit på 4 mm<sup>2</sup> for at forbinde apparatets jordforbindelse med jord.
3. Sørg for at sikre alle ledninger med trækafslutningsklemmer.
4. Tilslut apparatet (fig. **1**, side 3).



#### VIGTIGT! Fare for beskadigelse

Batterikabler må ikke tilsluttes til batteriet med omvendt polaritet, ellers kan apparatet blive beskadiget.

fig. **1**,  
side 3

#### Beskrivelse

1	Inverter	
2	Rødt kabel	med sikring
3	Sort kabel	

# Anvendelse af apparatet

## Frontpanel

fig. 4, side 4	Beskrivelse	
1	Kontrol-LED	Indikerer begrænset drift.
2	Power-LED	Indikerer, at der er tændt for inverteren, og at der findes 230 V-vekselstrømspænding på udgangen.
3	Hovedafbryder	<ul style="list-style-type: none"><li>• Inverter tændt, uafhængigt af et fjernsignalindgang eller en fjernbetjeningsstatus.</li><li>• Inverter slukket.</li><li>• Fjernmodus muliggør drift af inverteren fra fjernbetjeningen eller fjernsignalstyreindgangen.</li></ul>

## Fjernbetjening

fig. 3, side 4	Beskrivelse	
1	Kontrol-LED	Indikerer begrænset drift.
2	Ekstern	Indikerer, at inverteren er aktiveret fra den ekstra fjernsignalindgang med forsynet 12 V-jævnstrømsstyreindgang.
3	Inverter	Indikerer, at inverteren er i drift, og at der findes 230 V-vekselstrøm på udgangen.
4	Tænd/sluk-knap	Anvendes til at tænde eller slukke manuelt for inverter, når apparatets hovedafbryder er på positionen Fjern.

### fig. 1, side 3

#### Beskrivelse

4	Batteri	
5	Fjernbetjening	
6	Stikdåse	
7	Jordklemme	
8	Udtag	230 V-vekselstrøm
9	Frontpanel	
10	Stikdåse	Fjernbetjening
11	Stikdåse	Valgfri 12 V-fjernsignalindgang

5. Kontrollér, at alle fastgørelser er spændt korrekt, og at tilslutningerne er sikre inklusive tilslutningerne på sikringen.

## Tilslutning af neutralleder til jord



### ADVARSEL! Fare for elektrisk stød

Monteringen må kun udføres af en kvalificeret elektriker.

Der skal anvendes en beskyttelsesanordning i anvendelser, hvor inverteren forsyner flere udtag. I dette tilfælde kræves der tilslutning af neutrallederen (N) til beskyttelsesjord (PE).

## MT PL300-1500 SI

- ▶ Tilslut beskyttelsesanordningens stelklemme og neutralklemme vha. en ledning med et tværsnit på 4 mm<sup>2</sup> (fig. 11, side 8).

## MT PL 2000 SI

- ▶ Afisolér begge ender på en ledning med et tværsnit på 4 mm<sup>2</sup> (fig. 12, side 8, 3).
- ▶ Brug en skruetrækker til at frigøre lasken (fig. 12, side 8, 1).
- ▶ Sæt ledningen ind i klemmen (fig. 12, side 8, 2).

## Direkte forsyning af forbrugere på inverteren

Alle apparater har en effektudgang til direkte tilslutning af 230 V-vekselstrømsforbrugere (fig. 8, side 6).

## Inverterforsyning til flere udtag



### ADVARSEL! Fare for elektrisk stød

Monteringen må kun udføres af en kvalificeret elektriker.

Apparatet kan forsyne 230 V-vekselstrøm til flere udtag på én gang. Hvis der findes flere udtag, skal der monteres en passende beskyttelsesanordning (fig. 9, side 7).

## Inverterforsyning til flere udtag og ekstern strømforsyning med netprioritetskobling



### ADVARSEL! Fare for elektrisk stød

Monteringen må kun udføres af en kvalificeret elektriker.

230 V-vekselstrømmen fra inverteren og forsyningen fra en ekstern strømkilde kan skiftes med en netprioritetskobling. Hvis der anvendes en netprioritetskobling, skal der monteres en passende beskyttelsesanordning (fig. 10, side 7).

## Ekstra styresignalindgang

Apparatet af en 12 V-styresignalindgang, som muliggør tilslutning af en manuel kontakt eller et eksternt styresystem (fig. 11, side 3, 11).

Fjernbetjeningssignalet skal tilsluttes på stikkets korrekte polaritet på frontpanelet (fig. 11, side 3, 11).

## Udbedring af fejl

Status	Inverter/Ekstern LED	Kontrol-LED	Akustisk signal	Udgang 230 V-vekselstrøm
Inverter start	Tændt	Tændt (1 sekund)	1x	Tændt
Normal drift	Tændt	Slukket	Slukket	Tændt
Underspændingsadvarsel	Tændt	Slukket	2x/bryde	Tændt

► Overhold de mulige anvendelser for styresignalindgangen (fig. 13, side 9).

### fig. 13, side 9 Beskrivelse

1	Styring med ekstern kontakt
2	Styring med positiv signalspænding
3	Styring skift mod jord

Aktivering af styresignalindgangen har højere prioritet end fjernbetjeningen. Dette betyder, at når inverteren aktiveres af styresignalindgangen, kan apparatet ikke slukkes med fjernbetjeningen.

► For at aktivere 12 V-signalindgangen skal apparatets hovedafbryder indstilles på positionen *REMOTE* (fig. 4, side 4, 3).

## Rengøring og vedligeholdelse



### ADVARSEL! Fare for elektrisk stød

Træk altid netstikket ud, før du rengør og vedligeholder apparatet.



### VIGTIGT! Fare for beskadigelse

Apparatet må aldrig anvendes under rindende vand eller i en opvaskemaskine. Anvend ikke slibende rengøringsmidler eller hårde genstande under rengøring, da de kan beskadige apparatet.

► Rengør af og til produktet med en fugtig klud. Apparatet er vedligeholdelsesfrit.

Status	Inverter/Ekstern LED	Kontrol-LED	Akustisk signal	Udgang 230 V-vekselstrøm
Underspænding	Tændt	Tændt	3x/bryde	Tændt
Overspænding	Tændt	Tændt	4x/bryde	Tændt
Overtemperatur	Tændt	Tændt	5x/bryde	Tændt
Overbelastningsadvarsel	Tændt	Slukket	1x kort/bryde	Tændt
Overload	Slukket	Tændt	Kontinuerlig	Slukket
Kortslutning	Slukket	Tændt	Kontinuerlig	Slukket

Indgangsparametre	Spændingsområde	Beskrivelse
Normal drift	11,5 V – 14,0 V	
Optimal drift	13,0 V – 14,0 V	
Underspændingsadvarsel	11,2 V – 10,7 V	Akustisk signal: 2x/bryde
Stop - underspændingsadvarsel	< 10,7 V +/- 0,2 V	Inverter slukket, akustisk signal: 2x/bryde
Genstart - lavspænding	> 12,0 V +/- 0,2 V	Inverter tændt
Stop - overspænding	> 15,0 V	Inverter slukket, akustisk signal: 4x/bryde spænding > 16 V - kan beskadige apparatet, selv når det ikke er i drift

Hvis inverters drift er stoppet pga. en af de tidligere nævnte årsager, kan der udføres en manuel genstart.

► For at genstarte inverteren manuelt, skal der slukkes på apparatets knap, eller der skal trykkes på **ON/OFF**-knappen (fig. **3**, side 4, **4**) på fjernbetjeningen, indtil **CHECK**-LED'en (fig. **3**, side 4, **1**) er slukket. Inverteren kan genstartes efter en kort ventetid.

Hvis en parameter forsat er over eller under grænseværdien efter en genstart, forhindres starten, og den pågældende LED og de akustiske signalkvenser melder en fejl.



#### VIGTIGT! Fare for beskadigelse

Vent med at genstarte i 5 til 10 minutter, så apparatet kan køle ned i tilfælde af overtemperatur.



#### VIGTIGT! Fare for beskadigelse

I tilfælde af overbelastning skal lasten afbrydes og de tilsluttede forbrugere reduceres. Undgå yderligere starter med overbelastning.

## Garanti

Den lovbestemte garantiperiode gælder. Hvis produktet er defekt, bedes du kontakte din forhandler eller producentens afdeling i dit land (se [dometic.com/dealer](http://dometic.com/dealer)).

Ved reparation eller krav om garanti skal du medsende følgende bilag:

- En kopi af regningen med købsdato
- En reklameringsgrund eller en fejlbeskrivelse.

Vær opmærksom på, at egne eller uprofessionelle reparationer kan have sikkerhedsmæssige konsekvenser og kan gøre garantien ugyldig.

## Bortskaffelse

### Genbrug af produkter med batterier, genopladelige batterier eller lyskilder, der ikke kan udskiftes



► Hvis produktet indeholder batterier, genopladelige batterier eller lyskilder, der ikke kan udskiftes, skal du ikke fjerne dem før bortskaffelse.



► Hvis du vil bortskaffe produktet endegyldigt, skal du kontakte den nærmeste genbrugsstation eller din faghandel for at få de pågældende forskrifter om bortskaffelse.

► Produktet kan bortskaffes uden gebyr.


## Genbrug af emballagemateriale



► Bortskaf så vidt muligt emballagemateriale sammen med det tilsvarende genbrugsaffald.

## Tekniske data

	MT PL 300 SI	MT PL 600 SI	MT PL 1500 SI	MT PL 2000 SI
Nominal indgangsspænding	12 V ===			
Indgangsspændingsområde	10,5–15 V ===			
Nominal udgangsspænding	230 V ~ / 50 Hz / TDH < 3 %			
Nominal udgangseffekt	300 W	600 W	1500 W	2000 W
Overbelastning/1 sekund	500 W	1000 W	2600 W	4000 W
Tomgangsstrøm	0,4 A	0,7 A	0,8 A–1,0 A	0,8 A–1,0 A
Nominal effekt maks. strøm	30 A	60 A	150 A	200 A

	<b>MT PL 300 SI</b>	<b>MT PL 600 SI</b>	<b>MT PL 1500 SI</b>	<b>MT PL 2000 SI</b>
Effektivitet	87–94 %			
Ca. vægt	1500 g	2000 g	3800 g	6300 g
Mål (L x B x H), i mm	220 × 165 × 80	240 × 165 × 80	380 × 175 × 100	254 × 463 × 118
Batterikabler	6 mm <sup>2</sup>	10 mm <sup>2</sup>	35 mm <sup>2</sup>	50 mm <sup>2</sup>
Sikringsbeskyttelse inkluderet i batterikabel	30 A	60 A	175 A	225 A
Køling	Temperatur- og lastafhængig			
Beskyttelse	Overbelastning, overophedning, udgangskortslutning, overspænding, lavspænding			
Fjernbetjeningsindgang	12 V $\overline{\text{---}}$ / 30 mA			
Beskyttelsesklasse/IP-kapslingsklasse	Klasse I / IP20			
Godkendelse				



Läs och följ noggrant alla instruktioner, direktiv och varningar i den här produkthandboken för att säkerställa att du alltid installerar, använder och underhåller produkten på rätt sätt. Dessa instruktioner MÅSTE förvaras tillsammans med produkten.

Genom att använda produkten bekräftar du härmed att du noggrant har läst alla instruktioner, direktiv och varningar och att du förstår och är införstådd med att följa de villkor som anges här. Du är införstådd med att endast använda denna produkt i avsett syfte och i enlighet med instruktionerna, direktiven och varningarna som anges i denna produkthandbok samt i enlighet med alla gällande lagar och bestämmelser. Om du inte läser och följer instruktionerna och varningarna som anges här kan det leda till personskador på dig eller andra, eller till skador på produkten eller annan egendom i närheten. Denna produkthandbok, inklusive instruktionerna, direktiven och varningarna samt relaterad information, kan ändras och uppdateras. För uppdaterad produktinformation, besök [documents.dometic.com](http://documents.dometic.com).

## Innehåll

Symbolförklaring	57
Säkerhetsanvisningar	57
Leveransomfattning	58
Tillbehör	58
Målgrupp	58
Avsedd användning	58
Teknisk beskrivning	59
Installera apparaten	59
Använda apparaten	60
Rengöring och skötsel	61
Felsökning	61
Garanti	62
Avfallshantering	62
Tekniska data	63

## Symbolförklaring



### **VARNING!**

**Säkerhetsanvisning:** Anger en farlig situation som, om den inte kan undvikas, kan leda till döden eller allvarlig personskada.



### **AKTA!**

**Säkerhetsanvisning:** Anger en farlig situation som, om den inte kan undvikas, leder lindrig eller måttlig personskada.



### **OBSERVERA!**

Anger en situation som, om den inte kan undvikas, kan leda till materiell skada.



### **ANVISNING**

Kompletterande information om användning av produkten.

## Säkerhetsanvisningar



**FARA! Om man underlåter att följa de här varningarna blir följden dödsfall eller allvarlig personskada.**

### **Brandrisk/brännbara material**

- Vid brand får endast brandsläckare användas som är avsedda för elektriska apparater.

### **Risk för dödsfall på grund av elektricitet**

- Den röda och den svarta kontakten får aldrig vidröra varandra.
- Om apparaten eller anslutningskabeln uppvisar synliga skador får apparaten inte tas i drift.
- Om apparatens anslutningskabel skadas måste den av säkerhetsskäl bytas ut av tillverkaren, en servicerepresentant eller någon annan behörig person.
- Vissa delar av apparaten kan fortfarande stå under spänning även om säkringen har gått.
- Denna apparat får endast repareras av härför utbildad personal. Icke fackmässiga reparationer kan medföra allvarliga risker.
- Om du arbetar med elektriska system, se till att det finns en annan person i närheten som kan ingripa i nödfall.
- Lossa alla anslutningar och kontrollera att alla in- och utgångar är spänningsfria innan du demonterar apparaten.
- Ta inte tag i avskalade ledningar med händerna. Detta gäller framför allt vid drift med växelström.
- Koppla bort apparaten från elnätsanslutningen innan följande arbeten utförs:
  - Rengöring och skötsel.
  - Byte av säkring.
- Lossa inga kablar när apparaten används.
- Kontrollera, innan apparaten tas i drift, att elkabeln och stickkontakten är torra.
- För att apparaten snabbt ska kunna kopplas bort från nätet måste uttaget sitta i närheten av apparaten.

## Hälsorisk

- Barn från åtta års ålder, personer med nedsatt fysisk, sensorisk eller mental förmåga, eller personer med bristande erfarenhet och kunskaper får använda den här anordningen förutsatt att de hålls under uppsikt eller om de har fått anvisningar om hur man använder den här anordningen på ett säkert sätt och känner till vilka risker som är förknippade med användningen.
- Förvara alltid apparaten utom räckhåll för barn.
- Barn måste hållas under uppsikt så att de inte leker med apparaten
- Utan uppsikt får barn inte utföra rengörings- eller underhållsarbeten.

## Risk för personskada

- Dra kablar så att ingen kan snubbla över dem och så att kablar inte kan skadas.

## Explosionsrisk

- Använd inte apparaten i dessa förhållanden:
  - Blöta eller fuktiga omgivningar.
  - Nära korrosiva ångor.
  - Nära brännbara material.
  - Vid risk för gas- eller dammexplosion.



## ANVISNING Risk för skada

- Utsätt inte apparaten för värme (direkt solljus, värmeelement, o.s.v.). Förhindra att detta gör apparaten ännu varmare.
- Ställ apparaten i ett torrt utrymme där den är skyddad mot vattenstänk.
- Apparaten får inte monteras i dammiga omgivelningar.
- Se till att monteringsytan kan bära apparatens vikt.
- Använd tomma rör eller kabelkanaler om kablar dras genom plåtväggar eller andra väggar med vassa kanter.
- Dra kablar så att de inte kan skadas av dörrar eller motorhuvar.
- Lägg inte 230 V-nätledningen och 12-V-likströmsledningen i samma kabelkanal (tomt rör).
- Lägg inte kablar löst eller med skarpa böjar.
- Sätt fast kablar så att de sitter säkert.
- Dra inte i kablar.
- Använd alltid jordade uttag med FI-jordfelsbrytare.
- Se till att kabelarean är tillräcklig.
- Kontrollera att apparatens luftintag och luftutlopp inte är övertäckta.
- Säkerställ en god ventilation.

## Leveransomfattning

Mängd	Beskrivning
1	Ren sinusväxelriktare
1	Monterings- och bruksanvisning
1	Fjärrkontroll
1	5 m kabel för fjärrkontroll
2	1,2 m flexibla likströmskablar inklusive säkringskydd

## Tillbehör

Beskrivning	SKU
Avancerad prioritetsomkopplare för elnätsanslutning	9620000195 (MT12200)
Batteridator	9620000218 (MT01265)

## Målgrupp



Elinstallation och inställningen av apparaten måste utföras av en kvalificerad elektriker som har bevisat sina färdigheter och kunskaper inom konstruktion och drift av elutrustning och elinstallationer och som känner till gällande bestämmelser i landet där utrustningen installeras och/eller används och har fått säkerhetsutbildning för att kunna upptäcka och undvika de faror som kan uppstå.

Alla andra åtgärder som beskrivs är avsedda även för icke-professionella användare.

## Avsedd användning

Apparaten är avsedd för att mata anslutna uttag med 230 V.

Apparaten är avsedd för inomhusbruk.

Den här produkten lämpar sig endast för avsedd användning i enlighet med denna bruksanvisning.

Den här manualen informerar om vad som krävs för att installera och/eller använda produkten på rätt sätt. Felaktig installation och/eller användning eller felaktigt underhåll kommer leda till att produkten inte fungerar optimalt och riskerar gå sönder. Tillverkaren tar inget ansvar för personskador eller materiella skador på produkten som uppstår till följd av:

- Felaktig montering eller anslutning, inklusive för hög spänning
- Felaktigt underhåll eller användning av reservdelar som inte är originaldelar från tillverkaren
- Ändringar som utförts utan uttryckligt medgivande från tillverkaren
- Användning för andra ändamål än de som beskrivs i denna bruksanvisning.

Dometic förbehåller sig rätten att ändra produktens utseende och specifikationer.

## Teknisk beskrivning

Apparaten är en ren sinusväxelriktare för likström till växelström.

Dessutom erbjuder apparaten funktioner som:

- Integrerad mikroprocessor
- Kristallstabiliserad växelströmsutgång
- Elektriskt och termiskt överbelastningsskydd
- Underspänningsskydd
- Överspänningsskydd
- Temperaturstyrd fläkt

## Installera apparaten

### Monteringsanvisningar

- Apparaten kan monteras horisontalt eller vertikalt. Det är inte tillåtet att montera apparaten upp och ner (bild **6**, sida 5).
- Lämna minst 100 mm fritt utrymme på alla sidor för tillräcklig kylning (bild **5**, sida 5).
- Fjärrkontrollen ska installeras på ett åtkomligt ställe.

## Montera apparaten



### OBSERVERA! Risk för skada

Innan borrningar görs: Kontrollera att inga elkablar eller andra delar kan skadas genom borrning, sågning eller filning.

1. Markera och borra 8 hål på monteringsytan (bild **7**, sida 6).
2. Sätt fast apparaten ordentligt (bild **7**, sida 6).

## Montera fjärrkontrollen



### OBSERVERA! Risk för skada

Innan borrningar görs: Kontrollera att inga elkablar eller andra delar kan skadas genom borrning, sågning eller filning.

1. Skär ut monteringsytan (bild **2**, sida 3).
2. Anslut fjärrkontrollen med kabeln (bild **1**, sida 3, **5**).
3. Installera fjärrkontrollen.

## Ansluta apparaten

1. Dra alla ledningar som behövs.
2. Använd en kabel med tvärsnittsarea 4 mm<sup>2</sup> för att ansluta apparatens jordanslutning till jord.
3. Säkra alla ledningar med dragavlastningsklämmor.
4. Anslut apparaten (bild **1**, sida 3).



### OBSERVERA! Risk för skada

Batterikablarna får inte anslutas till batteriet med omvända poler, då detta kan förstöra apparaten.

### bild **1**, sida 3 Beskrivning

1	Växelriktare	
2	Röd kabel	med säkring
3	Svart kabel	
4	Batteri	
5	Fjärrkontroll	
6	Stickuttag	
7	Jordplint	

# Använda apparaten

## Frontpanel

<b>bild 4, sida 4</b>	<b>Beskrivning</b>	
1	Kontrolllysdiod	Visar begränsad drift.
2	Strömlysdiod	Visar att växelriktaren är påslagen och att 230 V växelspanning ligger på utgången.
3	Huvudbrytare	<ul style="list-style-type: none"><li>• Växelriktare på, oberoende av en fjärrsignalingång eller fjärrkontrollstatus.</li><li>• Växelriktare av.</li><li>• Fjärrläge gör det möjligt att använda växelriktaren från fjärrkontrollen eller fjärrsignalens styringång.</li></ul>

## Fjärrkontroll

<b>bild 3, sida 4</b>	<b>Beskrivning</b>	
1	Kontrolllysdiod	Visar begränsad drift.
2	Extern	Visar att växelriktaren har aktiverats från den extra fjärrsignalingången med 12 V DC styrsignal.
3	Växelriktare	Visar att växelriktaren är i drift och att 230 V växelström finns på utgången.
4	Knapp På/Av	Används för att slå på eller av växelriktaren manuellt när apparatens huvudbrytare står i fjärrläge.

## Direktförsörjning av förbrukare på växelriktaren

Alla apparater har ett eluttag för direkt anslutning av 230 V-växelströmsförbrukare (bild 8, sida 6).

<b>bild 1, sida 3</b>	<b>Beskrivning</b>	
8	Utgångsuttag	230 V AC
9	Frontpanel	
10	Stickuttag	Fjärrkontroll
11	Stickuttag	Fjärrsignalingång 12 V som tillval

5. Se till att alla fästen är ordentligt åtdragna och att anslutningarna är säkra, inklusive anslutningarna vid säkringen.

## Ansluta neutralledaren till jord



### **WARNING! Risk för dödsfall på grund av elektricitet**

Installationen får endast utföras av en kvalificerad elektriker.

I applikationer där växelriktaren försörjer flera uttag måste en skyddsanordning användas. I detta fall behöver neutralledarens (N) anslutas till skyddsjord (PE).

## MT PL300-1500 SI

- Anslut chassits jordplint och skyddsanordningens neutralplint med en kabel med 4 mm<sup>2</sup> tvärsnittsarea (bild 11, sida 8).

## MT PL 2000 SI

- Skala av båda ändarna av en kabel med 4 mm<sup>2</sup> tvärsnittsarea (bild 12, sida 8, 3).
- Lossa låsfliken med en skruvmejsel (bild 12, sida 8, 1).
- Sätt in kabeln i plinten (bild 12, sida 8, 2).

## Växelriktarförsörjning till flera uttag



### **WARNING! Risk för dödsfall på grund av elektricitet**

Installationen får endast utföras av en kvalificerad elektriker.

Apparaten kan mata flera uttag samtidigt med 230 V växelström. Om flera uttag används måste en lämplig skyddsanordning installeras (bild **9**, sida 7).

## Växelriktarförsörjning till flera uttag och externt nättaggregat med prioritetsomkopplare för elnätsanslutning



### **WARNING! Risk för dödsfall på grund av elektricitet**

Installationen får endast utföras av en kvalificerad elektriker.

Med en prioritetsomkopplare för elnätsanslutning går det att växla mellan växelströmsförsörjning 230 V av växelriktaren och försörjning av en extern strömkälla. Om en prioritetsomkopplare för elnätsanslutning används måste en lämplig skyddsanordning installeras (bild **10**, sida 7).

## Extra styrsignalingång

Apparaten har en 12 V styrsignalingång som gör det möjligt att ansluta en manuell brytare eller ett externt styrsystem (bild **1**, sida 3, **11**).

Fjärrkontrollsignalen måste anslutas med rätt polaritet på frontpanelens kontakt (bild **1**, sida 3, **11**).

## Felsökning

Status	Växelriktare/extern lysdiod	Kontrolllysdiod	Akustisk signal	Utgång 230 V växelström
Växelriktarstart	På	På (1 sekund)	1x	På
Normal drift	På	Av	Av	På
Underspanningsvarning	På	Av	2x/avbrott	På
Underspanning	På	På	3x/avbrott	På

► Observera vilka applikationer som är möjliga med styrsignalingången (bild **13**, sida 9).

### **bild 13, sida 9** Beskrivning

1	Styrning med extern omkopplare
2	Styrning med positiv signalspänning
3	Styrning via omkoppling mot jord

Aktiveringen av styrsignalingången har högre prioritet än fjärrkontrollen. Detta innebär att när växelriktaren aktiveras av styrsignalingången, kan inte apparaten stängas av från fjärrkontrollen.

► För att aktivera 12 V-signalingången, ställ apparatens huvudbrytare på *REMOTE*-läget (bild **4**, sida 4, **3**).

## Rengöring och skötsel



### **WARNING! Risk för dödsfall på grund av elektricitet**

Koppla alltid bort elnätsanslutningen före rengöring och skötsel av apparaten.



### **OBSERVERA! Risk för skada**

Rengör aldrig apparaten under rinnande vatten eller i diskvatten. Använd inga frätande rengöringsmedel eller hårda föremål vid rengöring, då dessa kan skada apparaten.

► Rengör produkten då och då med en fuktig trasa.

Apparaten är underhållsfri.

Status	Växelriktare/extern lysdiod	Kontrolllysdiod	Akustisk signal	Utgång 230 V växelström
Överspänning	På	På	4x/avbrott	På
Övertemperatur	På	På	5x/avbrott	På
Varning om överbelastning	På	Av	1x kort/avbrott	På
Overload	Av	På	Konstant	Av
kortslutning.	Av	På	Konstant	Av

Ingångsparametrar	Spänningsintervall	Beskrivning
Normal drift	11,5 V – 14,0 V	
Optimal drift	13,0 V – 14,0 V	
Underspänningsvarning	11,2 V – 10,7 V	akustisk signal 2x/avbrott
Stopp - lågspänningsvarning	< 10,7 V +/- 0,2 V	Växelriktare av, akustisk signal: 2x/avbrott
Omstart - låg spänning	> 12,0 V +/- 0,2 V	Växelriktare på
Stopp - överspänning	> 15,0 V	Växelriktare av, akustisk signal: 4x/avbrott spänning > 16 V - kan orsaka skador på apparaten även när den inte är i drift

Om växelriktaren har slutat gå av en av de tidigare anledningarna går det att göra en manuell omstart.

► För att starta om växelriktaren manuellt, stäng av med apparatens brytare eller tryck på **ON/OFF**-knappen (bild **3**, sida 4, **4**) på fjärrkontrollen tills **CHECK** lysdioden (bild **3**, sida 4, **1**) slocknar. Växelriktaren kan startas om efter en kort väntetid.

Om det fortfarande finns en parameter över eller under gränsvärdena efter omstarten, förhindras starten och tillhörande lysdiod- och akustiska signalsekvens signalerar ett fel.



#### **OBSERVERA! Risk för skada**

Vid övertemperatur, vänta 5 till 10 minuter så att apparaten svalnar innan den startas om.



#### **OBSERVERA! Risk för skada**

Vid överbelastning, stäng av lasten och minska antalet anslutna förbrukare. Gör inga fler starter med överbelastning.

## Garanti

Den lagstadgade garantitiden gäller. Kontakta din återförsäljare eller tillverkarens avdelningskontor i ditt land (se [dometic.com/dealer](http://dometic.com/dealer)) om produkten är defekt.

Vid reparations- och garantiärenden ska följande dokument skickas med när du returnerar produkten:

- En kopia på fakturan med inköpsdatum
- En reklamationsbeskrivning eller felbeskrivning

Observera att självständiga eller icke professionella reparationer kan påverka säkerheten och leda till att garantin blir ogiltig.

## Avfallshantering

**Återvinning av produkter med icke-utbytbara batterier, laddningsbara batterier eller ljuskällor**



Om produkten innehåller icke-utbytbara batterier, laddningsbara batterier eller ljuskällor behöver du inte avlägsna dem före kassering.



När produkten slutgiltigt tas ur bruk: Informera dig om gällande bestämmelser hos närmaste återvinningscentral eller hos återförsäljaren.

► Produkten kan kasseras utan avgift.

## Återvinning av förpackningsmaterial



► Lämna om möjligt förpackningsmaterialet till återvinning.

## Tekniska data

	MT PL 300 SI	MT PL 600 SI	MT PL 1500 SI	MT PL 2000 SI
Märkspänning ingång	12 V ===			
Område ingångsspänning	10,5–15 V ===			
Märkspänning utgång	230 V ~ /50 Hz/TDH < 3 %			
Märkeffekt utgång	300 W	600 W	1500 W	2000 W
Överbelastning/1 sekund	500 W	1000 W	2600 W	4000 W
Vilostrom	0,4 A	0,7 A	0,8 A – 1,0 A	0,8 A – 1,0 A
Märkeffekt max. ström	30 A	60 A	150 A	200 A
Verkningsgrad	87–94 %			
Ungefärlig vikt	1500 g	2000 g	3800 g	6300 g
Mått (L x B x H), i mm	220 x 165 x 80	240 x 165 x 80	380 x 175 x 100	254 x 463 x 118
Batterikablar	6 mm <sup>2</sup>	10 mm <sup>2</sup>	35 mm <sup>2</sup>	50 mm <sup>2</sup>
Säkring ingår i batterikabeln	30 A	60 A	175 A	225 A
Kylning	Temperatur- och lastberoende			
Skydd	Överbelastning, överhettning, kortslutning av utgång, överspänning, underspänning			
Fjärrkontrollgång	12 V === /30 mA			
Kapslingsklass/IP-klass	Klass I / IP20			
Certifiering				

Vennligst les disse instruksjonene nøye og følg alle instruksjoner, retningslinjer og advarsler som er inkludert i denne produktveiledningen for å sikre at du installerer, bruker og vedlikeholder produktet ordentlig til enhver tid. Disse instruksjonene MÅ følge med dette produktet.

Ved å bruke dette produktet bekrefter du at du har lest alle instruksjoner, retningslinjer og advarsler nøye, og at du forstår og aksepterer å overholde betingelsene og vilkårene slik de er presentert her. Du godtar å bruke dette produktet kun til tiltenkt formål og anvendelse, og i samsvar med instruksjonene, retningslinjene og advarslene slik de er presentert i denne produktveiledningen, så vel som i samsvar med alle gjeldende lovbestemmelser og forskrifter. Hvis instruksjonene og advarslene som er presentert her, ikke blir lest og fulgt, kan dette resultere i personskader hos deg selv eller andre, skade på produktet eller skade på annen eiendom i nærheten. Denne produktveiledningen, inkludert instruksjonene, retningslinjene og advarslene, samt relatert dokumentasjon, kan være underlagt endringer og oppdateringer. For oppdatert produktinformasjon, se documents.dometic.com.

## Innhold

Symbolforklaring .....	64
Sikkerhetsregler .....	64
Leveringsomfang .....	65
Tilbehør .....	65
Målgruppe .....	65
Forskriftsmessig bruk .....	65
Teknisk beskrivelse .....	66
Installere apparatet .....	66
Bruk av apparatet .....	67
Rengjøring og vedlikehold .....	68
Feilretting .....	68
Garanti .....	69
Avfallshåndtering .....	70
Tekniske spesifikasjoner .....	70

## Symbolforklaring



### ADVARSEL!

**Sikkerhetsregel:** Kjennetegner en farlig situasjon som - dersom den ikke unngås - kan resultere i alvorlige personskader, eventuelt med døden til følge.



### FORSIKTIG!

**Sikkerhetsregel:** Kjennetegner en farlig situasjon som - dersom den ikke unngås - kan resultere i mindre til moderate personskader.



### PASS PÅ!

Kjennetegner en situasjon som - dersom den ikke unngås - kan resultere i materielle skader.



### MERK

Ytterligere informasjon om betjening av produktet.

## Sikkerhetsregler



**FARE! Manglende overholdelse av disse advarslene resulterer i alvorlige personskader, eventuelt med døden til følge.**

### Brannfare / brennbare materialer

- Ved branntilfeller må det brukes et brannslukningsapparat som er egnet for elektriske apparater.

### Fare for elektrisk støt

- Pass på at du aldri berører den røde og den svarte klemmen.
- Hvis apparatet eller tilkoblingskabelen har synlige skader, må ikke apparatet brukes.
- Hvis strømkabelen til dette apparatet kommer til skade, må den skiftes ut av produsenten, et serviceverksted eller annen kvalifisert person for å unngå farlige situasjoner.
- Deler av apparatet kan fortsatt være under spenning også etter at sikringen har gått.
- Reparasjoner på dette apparatet må kun utføres av kvalifiserte fagfolk. Usakkyndige reparasjoner kan føre til alvorlige farer.
- Når du arbeider på elektriske anlegg, forsikre deg om at det er noen i nærheten som kan hjelpe deg i et nødstilfelle.
- Før du demonterer apparatet må du frakoble alle kontakter og forsikre deg om at alle inn- og utganger er spenningsfrie.
- Ikke berør blanke ledninger med bare hender. Dette gjelder spesielt ved drift fra vekselstrømnettet.
- Frakoble apparatet fra strømmettet før du utfører følgende oppgaver:
  - Rengjøring og vedlikehold.
  - Bytt en sikring.
- Ikke løsne kabler mens apparatet fortsatt er i drift.
- Sikre at strømkabelen og støpselet er tørre før apparatet startes opp.



- For å kunne skille apparatet raskt fra nettet når det oppstår en fare, må stikkkontakten være i nærheten av apparatet og lett tilgjengelig.

### Helsefare

- Dette apparatet kan brukes av barn fra 8 år og oppover og personer med reduserte fysiske, sensoriske eller mentale evner eller som mangler erfaring og kunnskap, hvis de er under oppsyn eller har fått veiledning i hvordan apparatet brukes på en forsvarlig måte og forstår hvilke farer det innebærer.
- Hold alltid apparatet utenfor barns rekkevidde.
- Barn skal være under tilsyn for å sikre at de ikke leker med apparatet.
- Rengjøring og vedlikehold skal ikke utføres av barn uten at de er under oppsyn.

### Fare for personskader

- Legg ledningene slik at man ikke snubler i dem, og slik at man unngår å skade kabelen.

### Ekspløsjonsfare

- Ikke bruk apparatet under følgende forhold:
  - våte eller fuktige omgivelser
  - i nærheten av aggressive damper
  - i nærheten av brennbare materialer
  - fare for gass- eller støvekspløsjon



### MERK Fare for skader

- Utsett ikke apparatet for varmekilder (solstråling, oppvarming osv.). Unngå ekstra oppvarming av apparatet på denne måten.
- Sett apparatet på et tørt sted som er beskyttet mot vannsprut.
- Apparatet må ikke monteres i støvete omgivelser.
- Sørg for at monteringsflaten er i stand til å bære apparatets vekt.
- Bruk tomme rør eller ledningsgjennomføringer når ledninger må føres gjennom platevegger eller andre vegger med skarpe kanter.
- Legg ledningene slik at de ikke skades av dører eller motorpanser.
- Ikke legg 230 V nettleddninger og 12 V likestrømsledningen sammen i den samme ledningskanalen (tomrør).
- Ikke legg ledningene løst eller med skarpe bøyer.
- Fest kablene sikkert.
- Ikke trekk i kablene.
- Bruk alltid jordede stikkontakter og stikkontakter som er sikret med jordfeilbryter.

- Sørg for tilstrekkelig ledningstverrsnitt.
- Pass på at lufteråpningene på apparatet ikke tildekkes.
- Sikre god ventilasjon.

## Leveringsomfang

Antall	Beskrivelse
1	Vekselretter med ren sinusbølge
1	Monterings- og bruksanvisning
1	Fjernkontroll
1	5 m kabel for fjernkontroll
2	1,2 m fleksibel likestrømkabel inkludert sikringsbeskyttelse

## Tilbehør

Beskrivelse	SKU
Avansert nettprioritetsbryter	9620000195 (MT12200)
Battericomputer	9620000218 (MT01265)

## Målgruppe



Den elektriske installasjonen og oppsettet av apparatet må utføres av en kvalifisert elektriker som har vist ferdigheter og kunnskaper relatert til konstruksjon og drift av elektrisk utstyr og installasjoner, og som er kjent med gjeldende forskrifter i det landet hvor utstyret skal installeres og/eller brukes, og har mottatt sikkerhetsopplæring for å kunne identifisere og unngå farene som er forbundet med arbeidet.

Alle andre handlinger er også ment for ikke-profesjonelle brukere.

## Forskriftsmessig bruk

Apparatet er ment for å forsyne 230 V til tilkoblede kontakter.

Apparatet er ment for innendørs bruk.

Dette produktet er kun egnet for det tiltenkte formålet og anvendelsen i samsvar med disse instruksjonene.

Denne håndboken gir informasjon som er nødvendig for en ordentlig installasjon og/eller drift av produktet. Dårlig installasjon og/eller upassende drift eller vedlikehold vil resultere i en utilfredsstillende ytelse og en mulig svikt.

Produsenten påtar seg intet ansvar for personskader eller materielle skader på produktet som følger av:

- Ikke korrekt montering eller tilkobling, inkludert for høy spenning
- Ikke korrekt vedlikehold eller bruk av reservedeler foruten de originale reservedelene som leveres av produsenten
- Endringer på produktet uten at det er gitt uttrykkelig godkjenning av produsenten
- Bruk til andre formål enn det som er beskrevet i denne håndboken

Dometic forbeholder seg rettigheten til å endre produktet ytre og produktspesifikasjoner.

## Teknisk beskrivelse

Apparatet er en ren sinusvekselretter for likestrøm til vekselstrøm.

I tillegg byr enheten på egenskaper som følger:

- Integrert mikroprosessor
- Kvartsstabilisert vekselstrømutgang
- Elektrisk og termisk overbelastningsvern
- Underspenningsvern
- Overspenningsvern
- Temperaturstyrt vifte

## Installere apparatet

### Monteringsveiledning

- Apparatet kan monteres både horisontalt og vertikalt. Det er ikke tillatt å montere apparatet opp-ned (fig. **6**, side 5).
- For en ordentlig kjøling må det være - minst - 100 mm ledig plass på alle sider av enheten (fig. **5**, side 5).

- Fjernkontrollen bør installeres på et tilgjengelig sted.

### Montere apparatet



#### **PASS PÅ! Fare for skader**

Før du borer noe som helst, må du forsikre deg om at ingen elektriske kabler eller andre deler på kjøretøyet kan skades av boring, saging og filing.

1. Marker og bor 8 hull på monteringsoverflaten (fig. **7**, side 6).
2. Fest apparatet sikkert (fig. **7**, side 6).

### Montere fjernkontrollen



#### **PASS PÅ! Fare for skader**

Før du borer noe som helst, må du forsikre deg om at ingen elektriske kabler eller andre deler på kjøretøyet kan skades av boring, saging og filing.

1. Skjær til monteringsoverflaten (fig. **2**, side 3).
2. Koble til fjernkontrollen med kabelen (fig. **1**, side 3, **5**).
3. Monter fjernkontrollen.

### Koble til apparatet

1. Legg alle nødvendige ledninger.
2. Benytt kabler med en diameter på 4 mm<sup>2</sup> for å kople jordforbindelsen på apparatet til jord.
3. Sikre alle ledninger med strekkavlastningsklemmer.
4. Koble til apparatet (fig. **1**, side 3).



#### **PASS PÅ! Fare for skader**

Batterikablene må ikke kobles til batteriet med feil polaritet, det kan føre til skader på apparatet.

fig. **1**,  
side 3

#### Beskrivelse

1	Vekselretter
2	Rød kabel med sikring
3	Svart kabel
4	Batteri

# Bruk av apparatet

## Frontpanel

fig. 4, side 4	Beskrivelse	
1	Kontroll-LED	Indikerer begrenset drift.
2	Strøm-LED	Indikerer at vekselretteren er slått på og 230 V vekselstrøm er tilstede ved utgangen.
3	Hovedbryter	<ul style="list-style-type: none"><li>• Vekselretter på, uavhengig av fjernsignal-utgang eller fjernkontrollstatus.</li><li>• Vekselretter av.</li><li>• Fjernmodus tillater drift av vekselretteren fra fjernkontrollen eller fjernsignalets styring.</li></ul>

## Fjernkontroll

fig. 3, side 4	Beskrivelse	
1	Kontroll-LED	Indikerer begrenset drift.
2	Ekstern	Indikerer at vekselretteren er aktivert fra ekstra fjernsignalinngang med 12 V likestrømsignal.
3	Vekselretter	Indikerer at vekselretteren er i drift og 230 V vekselstrøm er tilstede ved utgangen.
4	På / Av-knapp	Brukes for å slå vekselretteren på eller av manuelt når apparatets hovedbryter befinner seg i fjernposisjon.

### fig. 1, side 3

#### Beskrivelse

5	Fjernkontroll	
6	Innstikkskontakt	
7	Jordtilkobling	
8	Utgangskontakt	230 V vekselstrøm (AC)
9	Frontpanel	
10	Innstikkskontakt	Fjernkontroll
11	Innstikkskontakt	Alternativ 12 V fjernsignalinngang

5. Forsikre deg om at alle fester er trukket godt til og at tilkoblingene er faste, inkludert sikringstilkoblingene.

### Tilkobling av nøytralleder til jord



#### ADVARSEL! Fare for elektrisk støt

Installasjonen må kun utføres av en kvalifisert elektriker.

I brukstilfeller der vekselretteren skal forsyne flere stikkontakter, må det benyttes en beskyttelsesinnretning. I dette tilfellet må nøytrallederen (N) kobles til jord (PE).

### MT PL300-1500 SI

- Koble sammen apparatusets jordtilkobling og nøytraltilkoblingen på beskyttelsesinnretningen med en ledning med 4 mm<sup>2</sup> tverrsnitt (fig. 11, side 8).

### MT PL 2000 SI

- Avisoler begge ender på en ledning 4 mm<sup>2</sup> tverrsnitt (fig. 12, side 8, 3).
- Bruk en skrutrekker til å løse låsetappen (fig. 12, side 8, 1).
- Sett kabelen inn i tilkoblingen (fig. 12, side 8, 2).

## Forsyning av forbrukere direkte fra vekselretteren

Alle apparater har en strømutføring for direkte tilkobling av 230 V vekselstrømsforbrukere (fig. 8, side 6).

## Forsyning av flere stikkontakter fra vekselretteren



### ADVARSEL! Fare for elektrisk støt

Installasjonen må kun utføres av en kvalifisert elektriker.

Apparatet kan forsyne flere stikkontakter med 230 V vekselstrøm. Ved bruk av flere stikkontakter må det være installert en egnet beskyttelsesinnretning (fig. 9, side 7).

## Forsyning av flere stikkontakter fra vekselretteren og ekstern spenningsforsyning med nettprioritetsomkobling



### ADVARSEL! Fare for elektrisk støt

Installasjonen må kun utføres av en kvalifisert elektriker.

230 V vekselstrømsforsyning av vekselretteren og forsyning av ekstern strømkilde kan veksles på ved hjelp av nettprioritetsomkoblingen. Ved bruk av nettprioritetsomkobling må det være installert en egnet beskyttelsesinnretning (fig. 10, side 7).

## Ekstra styresignalingang

Apparatet har en 12 V styresignalingang som tillater tilkobling av en manuell bryter eller et eksternt styresystem (fig. 11, side 3, 11).

## Feilretting

Status	Vekselretter / ekstern LED	Kontroll-LED	Akustisk signal	Effekt 230 V vekselstrøm
Vekselretter start	På	På (1 sekund)	1x	På
Normal drift	På	Av	Av	På
Underspenningsadvarsel	På	Av	2x/pause	På
Underspenning	På	På	3x/pause	På

Fjernkontrollsignalet må tilkoples til riktig polaritet på pluggen på frontpanelet (fig. 11, side 3, 11).

► Følg de mulige bruksområdene til styresignalingangningen (fig. 13, side 9).

### fig. 13, side 9 Beskrivelse

1	Styring med ekstern bryter
2	Styring med positiv signalspenning
3	Styring med kopling mot jord

Aktivering av styresignalingangningen har høyere prioritet enn fjernkontrollen. Dette betyr at dersom vekselretteren er aktivert av styresignalingangningen, kan ikke apparatet slås av via fjernkontrollen.

► For å aktivere 12 V signalingangningen stiller du apparatets hovedbryter i *REMOTE*-stilling (fig. 4, side 4, 3).

## Rengjøring og vedlikehold



### ADVARSEL! Fare for elektrisk støt

Koble alltid fra nettpluggen før du foretar rengjøring og service på enheten.



### PASS PÅ! Fare for skader

Apparatet må aldri rengjøres under rennende vann eller i en oppvaskmaskin. Ikke bruk sterke vaskemidler eller harde gjenstander til rengjøring, da det kan skade kjøleboksen.

► Rengjør produktet regelmessig med en fuktig klut.

Apparatet er vedlikeholdsritt.

Status	Vekselretter / ekstern LED	Kontroll-LED	Akustisk signal	Effekt 230 V vekselstrøm
Overspenning	På	På	4x/pause	På
For høy temperatur	På	På	5x/pause	På
Advarsel om overlast	På	Av	1x kortslutning/pause	På
Overload	Av	På	Kontinuerlig	Av
kortslutning	Av	På	Kontinuerlig	Av

Inngangsparametre	Spenningsområde	Beskrivelse
Normal drift	11,5 V – 14,0 V	
Optimal drift	13,0 V – 14,0 V	
Underspenningsadvarsel	11,2 V – 10,7 V	akustisk signal: 2x/pause
Stopp - advarsel om lav spenning	< 10,7 V +/- 0,2 V	Vekselretter av, akustisk signal: 2x/pause
Omstart - lav spenning	> 12,0 V +/- 0,2 V	Vekselretter PÅ
Stopp - for høy spenning	> 15,0 V	Vekselretter av, akustisk signal: 4x/pause Spenning > 16 V - kan forårsake apparatskader selv om det ikke er i drift

Vekselretteren har stanset driften av en av de ovennevnte årsakene, kan startes på nytt manuelt.

► For en manuell omstart av vekselretteren slår du av på apparatets bryter eller trykker på **ON/OFF**-knappen (fig. **3**, side 4, **4**) på fjernkontrollen helt til **CHECK LED** (fig. **3**, side 4, **1**) slukker. Etter en kort ventetid kan vekselretteren startes opp på nytt.

Hvis en parameter fortsatt befinner seg over eller under grenseverdiene etter nystarten, forhindres oppstarten, og en tilsvarende LED-lampe og et lyd-signal melder om feilen.



### **PASS PÅ! Fare for skader**

Ved overtemperatur: Vent i 5–10 minutter for å kjøle ned apparatet før en ny oppstart.



### **PASS PÅ! Fare for skader**

Ved overbelastning: Slå av lasten og reduser de tilkoblede forbrukerne. Unngå ytterligere oppstarter med overbelastning.

## **Garanti**

Lovmessig garantitid gjelder. Hvis produktet er defekt, ta kontakt med forhandleren eller produsentens filial i landet (se [dometic.com/dealer](http://dometic.com/dealer)).

Ved henvendelser vedrørende reparasjon eller garanti, må du sende med følgende dokumentasjon:

- Kopi av kvitteringen med kjøpsdato
- Årsak til reklamasjonen eller beskrivelse av feilen

Vær oppmerksom på at reparasjoner som utføres selv, eller som ikke utføres på en profesjonell måte, kan gå ut over sikkerheten og føre til at garantien blir ugyldig.

# Avfallshåndtering

## Resirkulering av produkter med ikke-erstattbare batterier, oppladbare batterier eller lyskilder



▶ Hvis produkter inneholder ikke-erstattbare batterier, oppladbare batterier eller lyskilder, trenger du ikke fjerne dem før avhending.



▶ Hvis du ønsker å avfallsbehandle produktet, må du rådføre deg med nærmeste gjenvinningsstasjon eller din faghandler om hvordan du kan gjøre dette i overensstemmelse med gjeldende deponeringsforskrifter.

▶ Produktet kan avhendes gratis.


## Resirkulering av emballasje



▶ Lever emballasje til resirkulering så langt det er mulig.

## Tekniske spesifikasjoner

	MT PL 300 SI	MT PL 600 SI	MT PL 1500 SI	MT PL 2000 SI
Nominell inngangsspenning	12 V ===			
Inngangsspenningsområde	10,5 – 15 V===			
Nominell utgangsspenning	230 V ~ / 50 Hz / TDH < 3 %			
Nominell utgangseffekt	300 W	600 W	1500 W	2000 W
Overlast / 1 sekund	500 W	1000 W	2600 W	4000 W
Blindstrøm	0,4 A	0,7 A	0,8 A – 1,0 A	0,8 A – 1,0 A
Nominell effekt, maks. strøm	30 A	60 A	150 A	200 A

	<b>MT PL 300 SI</b>	<b>MT PL 600 SI</b>	<b>MT PL 1500 SI</b>	<b>MT PL 2000 SI</b>
Virkningsgrad	87–94 %			
Vekt ca.	1500 g	2000 g	3800 g	6300 g
Mål (L x B x H) , i mm	220 × 165 × 80	240 × 165 × 80	380 × 175 × 100	254 × 463 × 118
Batterikabler	6 mm <sup>2</sup>	10 mm <sup>2</sup>	35 mm <sup>2</sup>	50 mm <sup>2</sup>
Sikring inkludert i batterikabel	30 A	60 A	175 A	225 A
Kjøling	Temperatur- og lastavhengig			
Beskyttelse	Overlast, overoppheting, kortslutning utgangsside, overspenning, lav spenning			
Fjernkontrollinnngang	12 V <sup>---</sup> / 30 mA			
Beskyttelsesklasse/IP-merking	Klasse I / IP20			
Sertifisering				

**dometic.com**

---

**YOUR LOCAL  
DEALER**

**[dometic.com/dealer](https://dometic.com/dealer)**

**YOUR LOCAL  
SUPPORT**

**[dometic.com/contact](https://dometic.com/contact)**

**YOUR LOCAL  
SALES OFFICE**

**[dometic.com/sales-offices](https://dometic.com/sales-offices)**

---